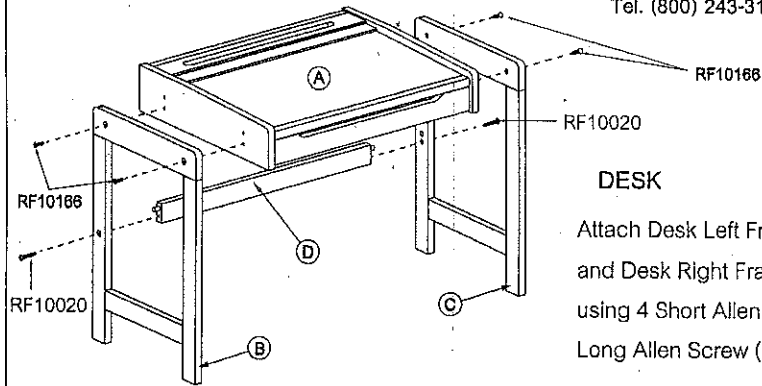
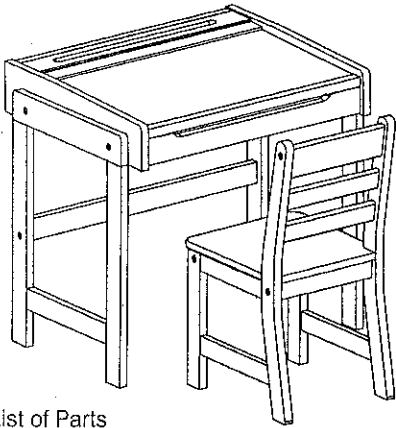


Casual Home

Assembly Instruction Sheet
Item #554
Chalkboard Desk & Chair

Lipper
International Inc.

235 Washington Street, Wallingford, CT 06492
Tel. (800) 243-3129



DESK

Attach Desk Left Frame (B), Leg Support (D) and Desk Right Frame (C) to the Desk Top (A) using 4 Short Allen Screw (RF10166) and 2 Long Allen Screw (RF10020) as per diag. 1.

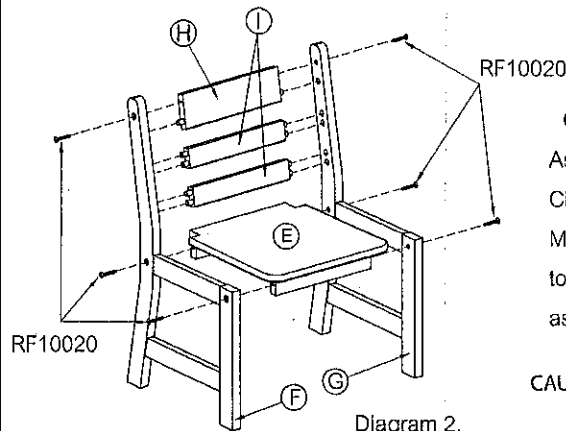
Diagram 1.

List of Parts

Parts	Description	Q'ty
A	Desk Top	1
B	Desk Left Frame	1
C	Desk Right Frame	1
D	Leg Support	1
E	Chair Seat	1
F	Chair Left Frame	1
G	Chair Right Frame	1
H	Top Back Rest	1
I	Middle Back Rest	2

List of Hardware

Parts	Description	Q'ty
RF10166	Short Allen Screw	4
RF10020	Long Allen Screw	8
RF40015	Allen Wrench	1



CHAIR

Assemble the chair by attaching Chair Seat (E), Chair Left Frame (F), Top Back Rest (H), Middle Back Rest (I) and Chair Right Frame (G) together using 6 Long Allen Screws (RF10020) as per diag. 2.

Diagram 2.

CAUTION: Hardware Assembly Package Contains Small Parts Adult Assembly Required