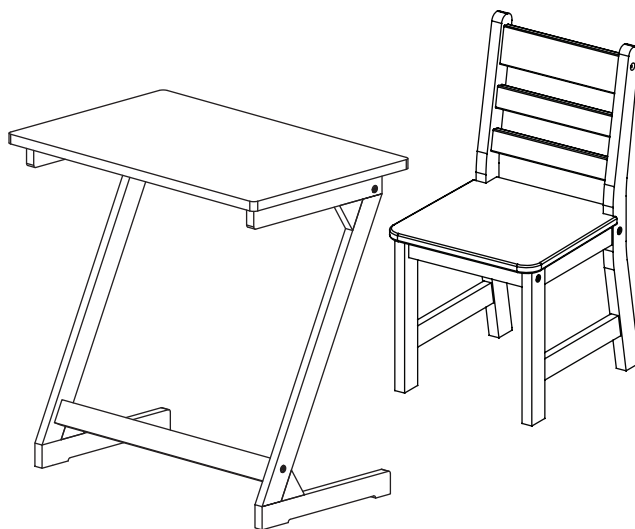


# Assembly Instruction

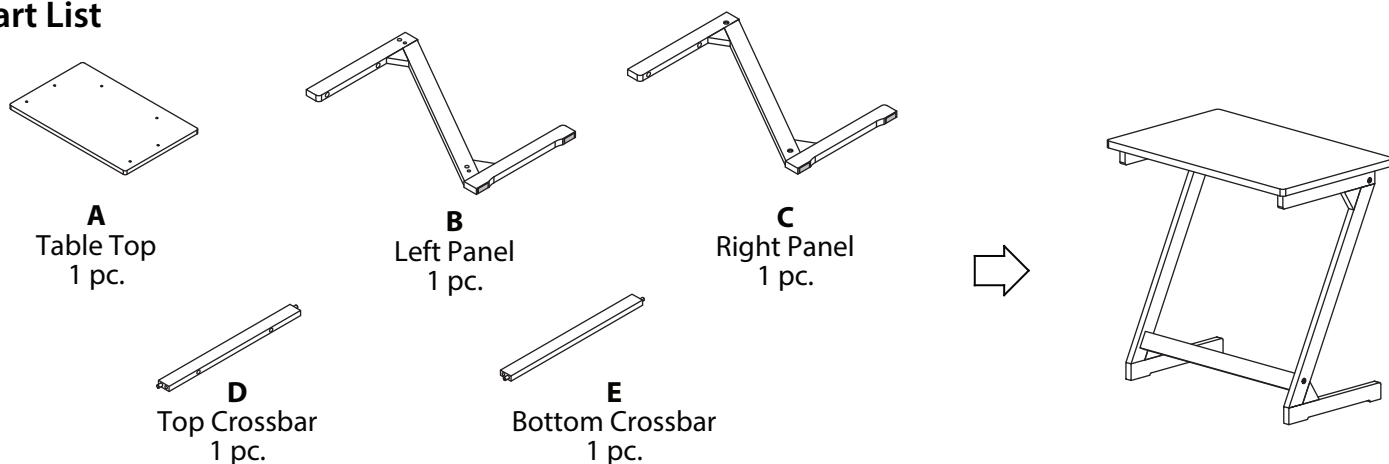
## Item# 547

### Child's Anywhere Table and Chair Set

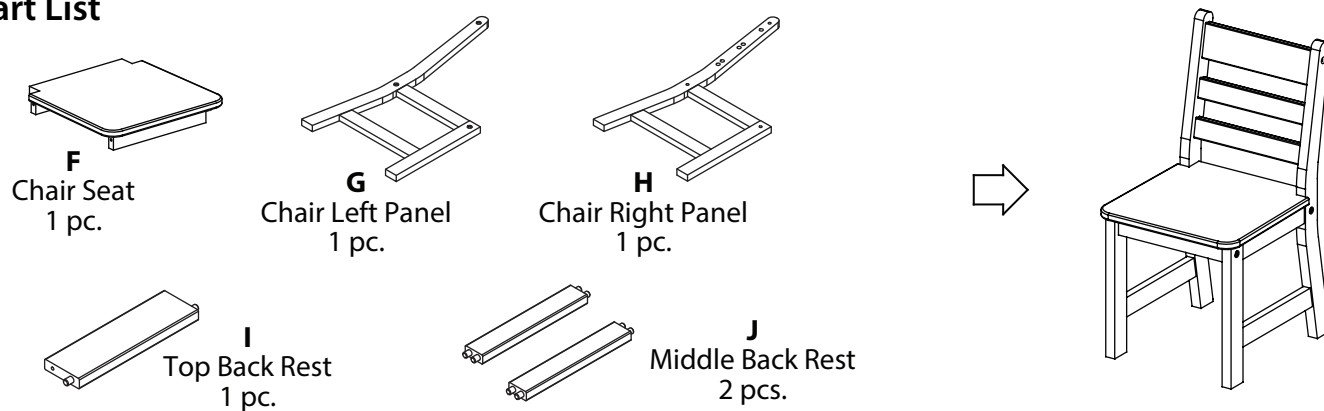
**Lipper**  
International Inc.  
235 Washington Street, Wallingford, CT 06492  
Tel. (800) 243-3129



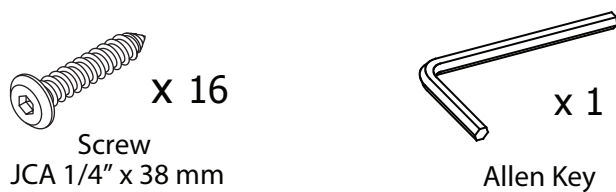
#### Part List



#### Part List



#### Hardware



# Table

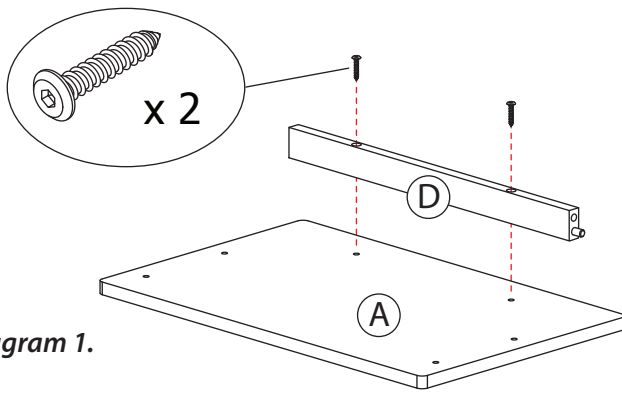


Diagram 1.

## Step 1:

Attach Top Crossbar (D) into the Table Top (A) by using screw JCA 1/4" x 38 mm as per diagram 1.

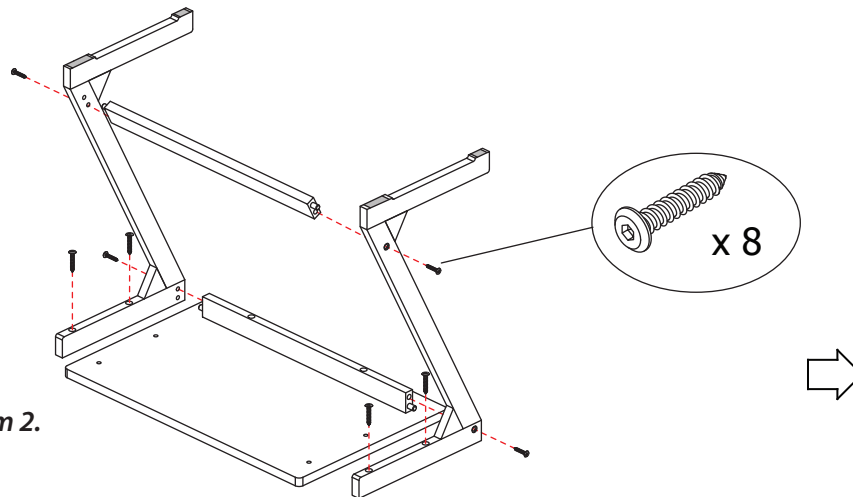
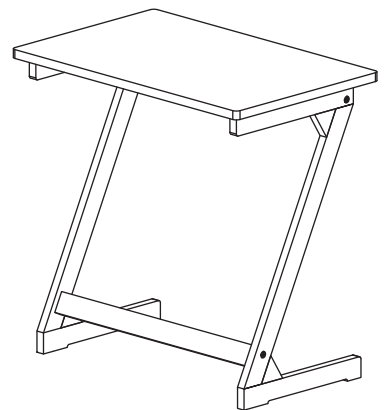


Diagram 2.

## Step 2:

Attach Left Panel (B), Right Panel (C) and Bottom Crossbar (E) into the unit by using screw JCA 1/4" x 38 mm as per diagram 2.



# Chair

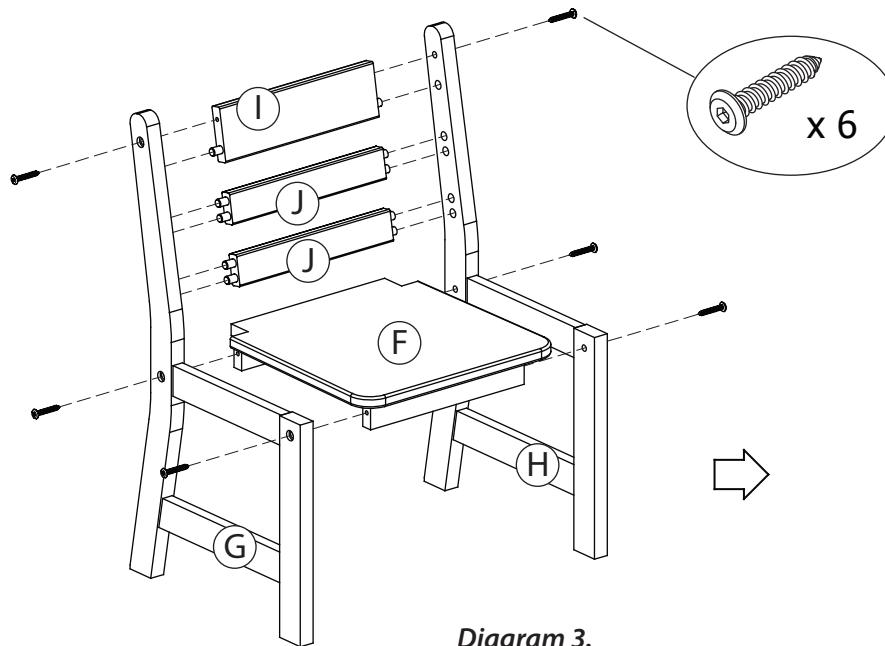
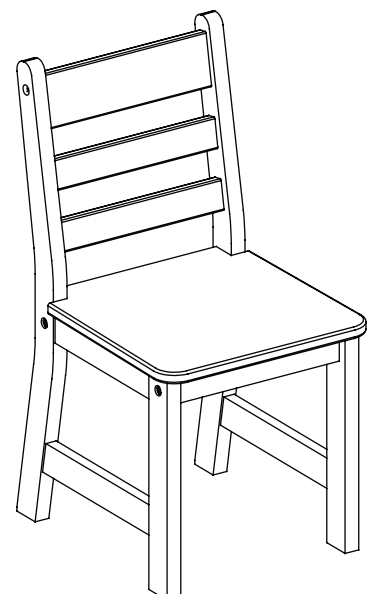


Diagram 3.

Assemble chair by attaching Seat (F), Chair Left Frame (G), Top Back Rest (I), Middle Back Rest (J) and Chair Right Frame (H) together by using 6 Screws JCA 1/4" x 38 mm as per diagram 3.



**CAUTION: Hardware Assembly Package Contains Small Parts  
Adult Assembly Required**