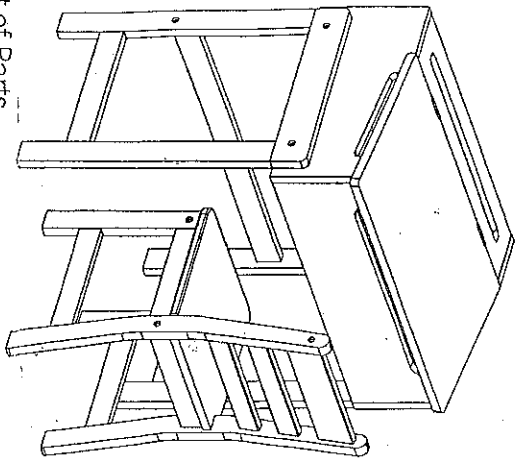


Assembly Instruction Sheet
Item #564
Child's Slant Top Desk W/Chair



List of Parts

Parts	Description	Qty
A	Desk Top	1
B	Desk Left Frame	1
C	Desk Right Frame	1
D	Leg Support	1
E	Seat	1
F	Chair Left Frame	1
G	Chair Right Frame	1
H	Top Back Rest	1
I	Middle Back Rest	2

List of Hardware

Parts	Description	Qty
RF10106	Short Screw	6
RF10020	Long Screw	6
RF40015	Allen Wrench	1



Casual Home

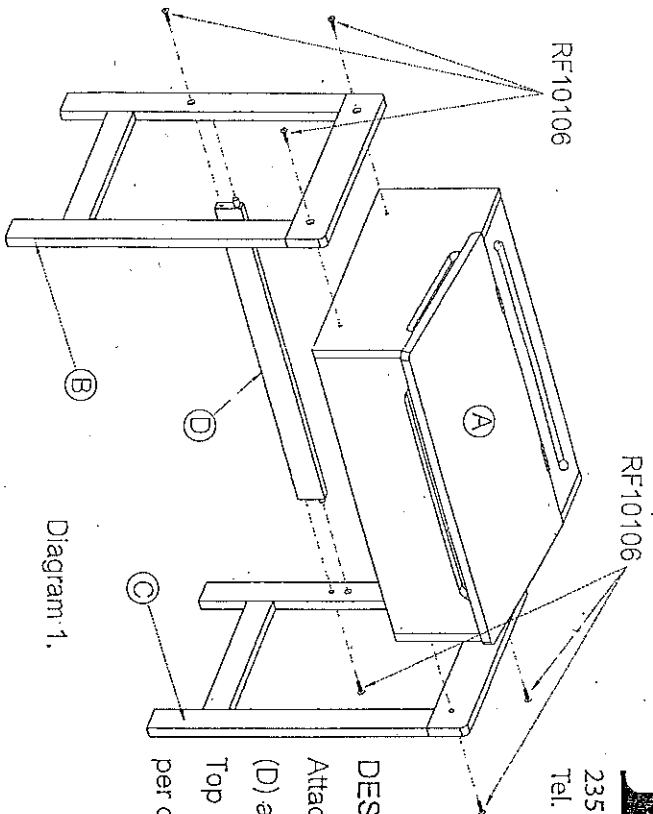


Diagram 1.

DESK
Attach Desk Left Frame (B), Leg Support (D) and Desk Right Frame(C) to the Desk Top (A) using 6 Short Screw (RF10106) as per diag. 1.

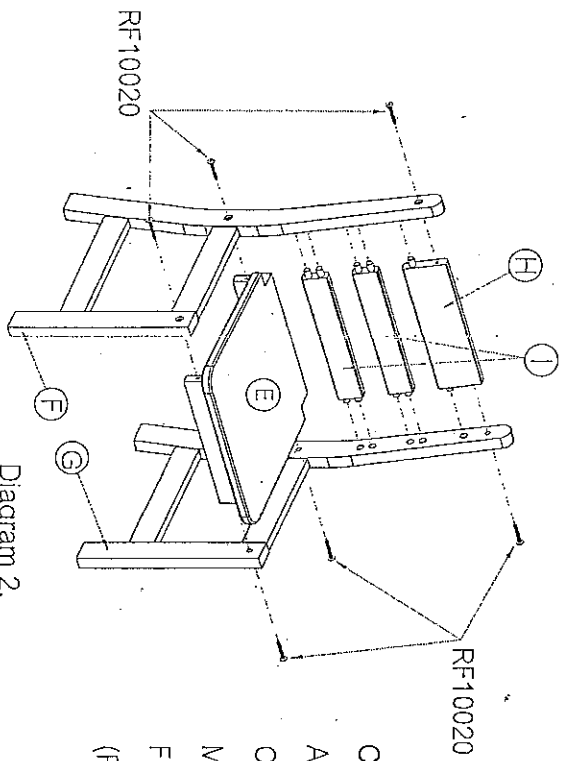


Diagram 2.

CHAIR
Assemble the chair by attaching Seat (E), Chair Left Frame (F), Top Back Rest (H), Middle Back Rest (I) and Chair Right Frame (G) together using 6 Long Screws (RF10020) as per diag. 2.

Tipper
International Inc.
235 Washington Street, Wallingford, CT 06492
Tel. (800) 243-3129