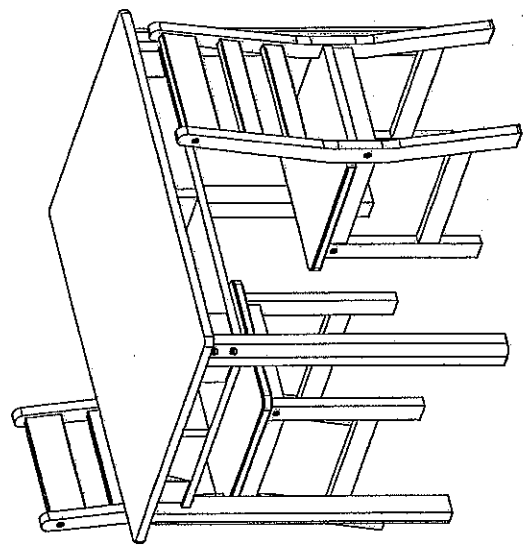


*Casual Home*

Assembly Instruction Sheet  
 Item #534  
 Rect. Table W/2 Chairs



**Lipper**  
 International Inc.  
 235 Washington Street, Wallingford, CT 06492  
 Tel. (800) 243-3129

RECOMMENDATION:  
 FOR EASIER ASSEMBLY OF TABLE  
 LEGS TO TABLE TOP, ROLL  
 SCREW THREADS OVER WET/SOFT  
 BAR OF SOAP.

**TABLE**

Attach the 4 Leg(B) to the corners under  
 Table Top(A) using 8 Long Phillips  
 Screws (RF10182) as per diag. 1.  
 \*Phillips screwdriver not include.

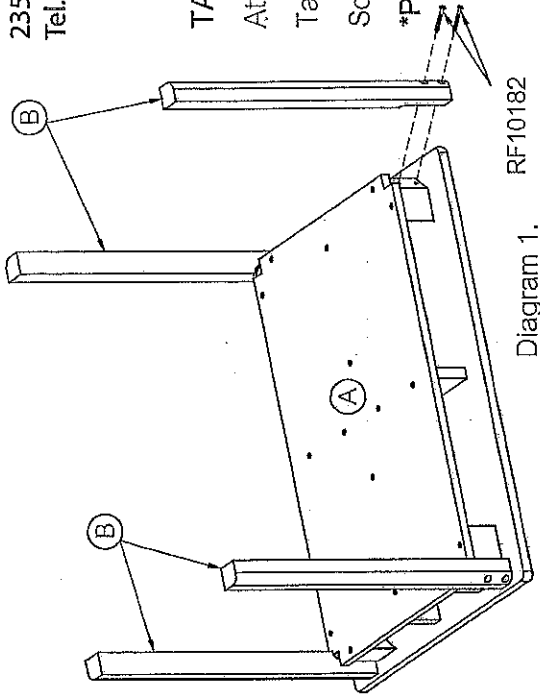


Diagram 1. RF10182

**CHAIR**

Assemble each chair by attaching  
 Seat (C), Chair Left Frame (D), Top  
 Back Rest (F), Middle Back Rest (G)  
 and Chair Right Frame (E) together  
 using 6 Short Allen Screws  
 (RF10020) as per diag. 2.

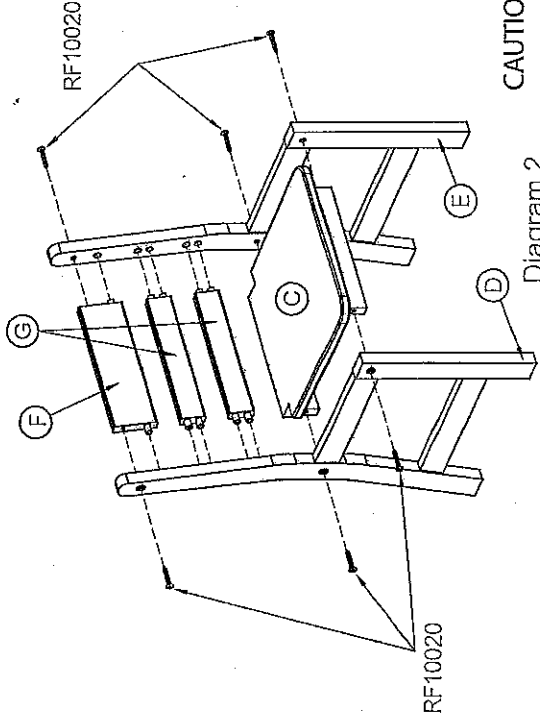


Diagram 2.

CAUTION: Hardware Assembly Package Contains  
 Small Parts Adult Assembly Required

List of Parts

Parts	Description	Q'ty
A	Table Top	1
B	Leg	4
C	Seat	2
D	Chair Left Frame	2
E	Chair Right Frame	2
F	Top Back Rest	2
G	Middle Back Rest	4

List of Hardware

Parts	Description	Q'ty
RF10020	Short Allen Screw	12
RF10182	Long Phillips Screw	8
RF40015	Allen Wrench	1

