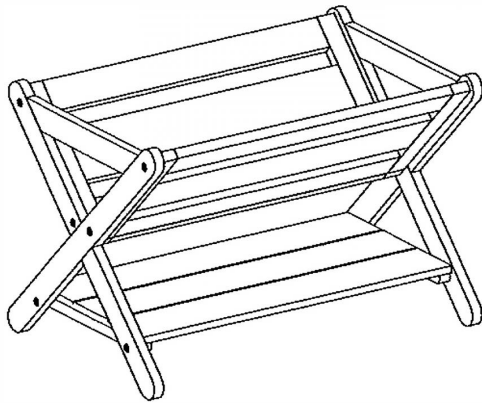


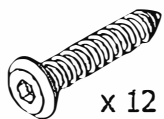
Assembly Instruction
 Item# 522
 Kids' Book Caddy with
 Shelf



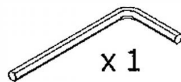
List of Parts

Parts	Description	Q'ty
A	Back Panel	1
B	Front Panel	1
C	Bottom Shelf	1
D	Side Panel	2

Hardware

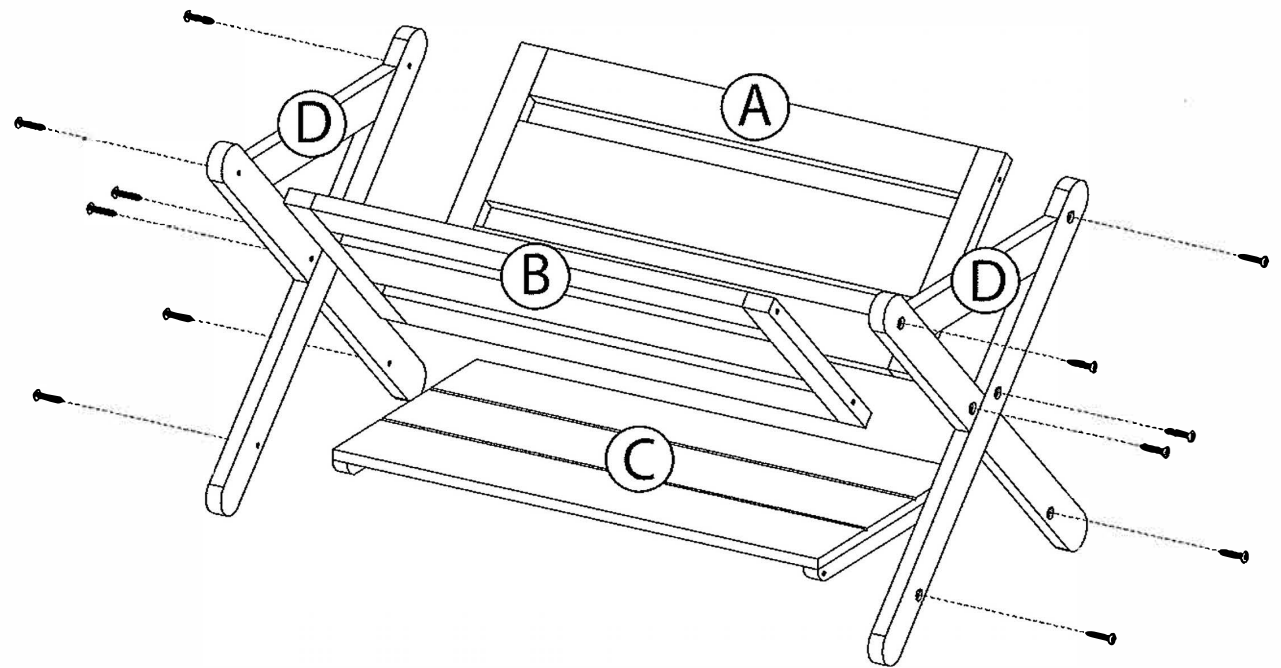


x 12
 JCA 1/4" x 32
 RF10003



x 1
 Allen Key
 RF40103

Lipper
 International Inc.
 235 Washington Street, Wallingford, CT 06492
 Tel. (800) 243-3129



Attach Back Panel (A), Front Panel (B), Bottom Shelf (C) and Side Panel (D) together by using Screws JCA 1/4" x 32mm as per diagram.

CAUTION: Hardware Assembly Package Contains Small Parts
 Adult Assembly Required