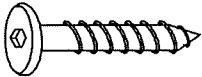
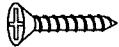
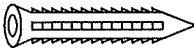
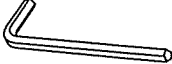


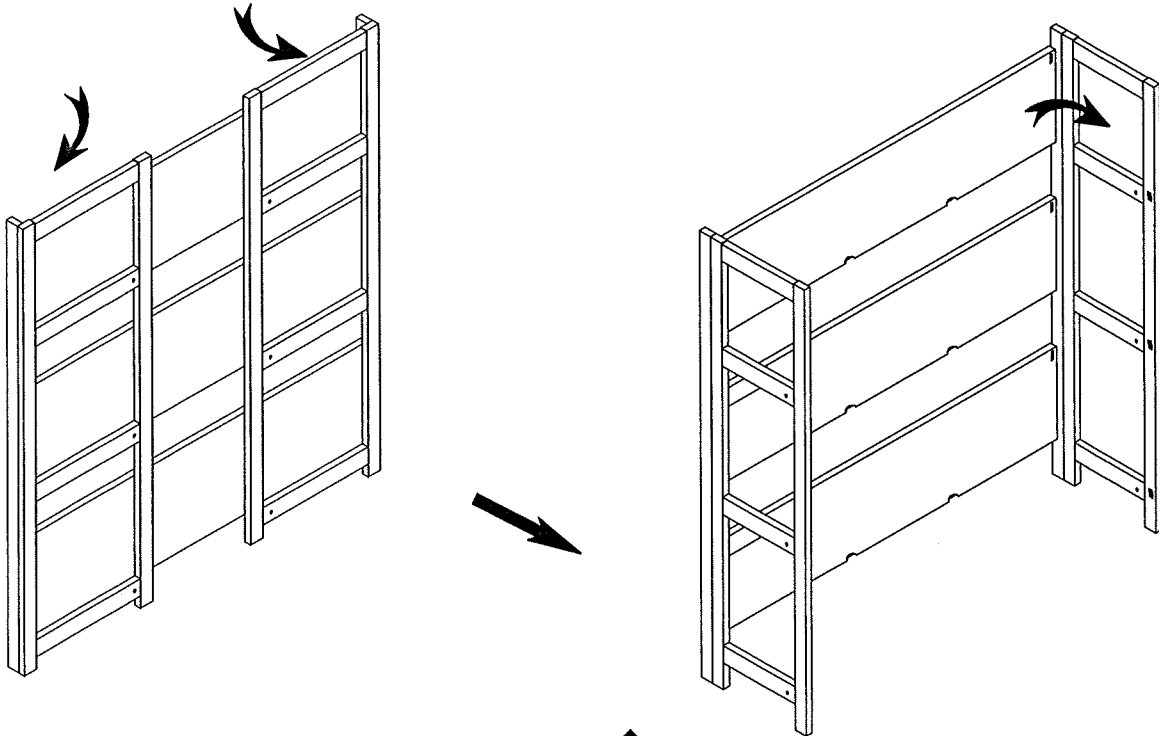
HARDWARE LIST			
A		SCREW 6 x 40 mm	06 pcs
B		SCREW 4 x 30 mm	02 pcs
C		PLASTIC ANCHOR	02 pcs
D		ALLEN KEY	01 pc

**Adult Assembly Only**

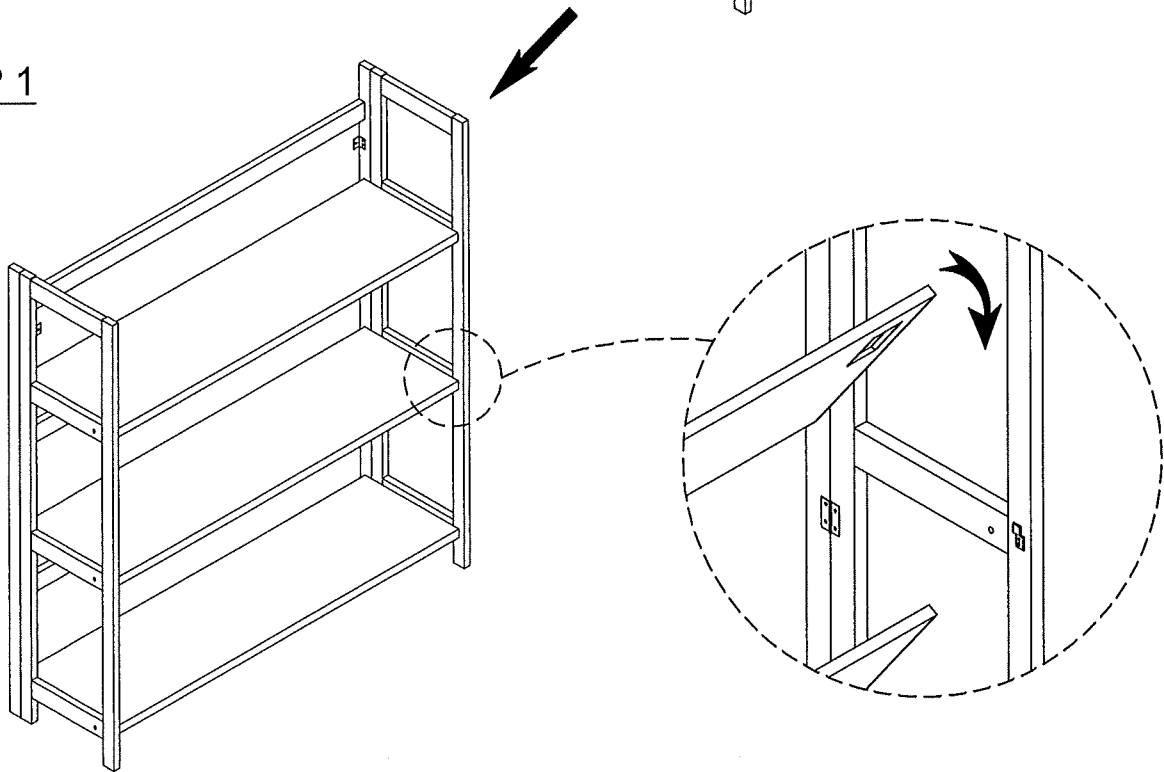
TO ENSURE CHILD'S SAFETY, PLEASE SECURE BOOKSHELVES AND ATTACH BOOKCASE TO WALL AS SHOWN IN STEPS 2 AND 3

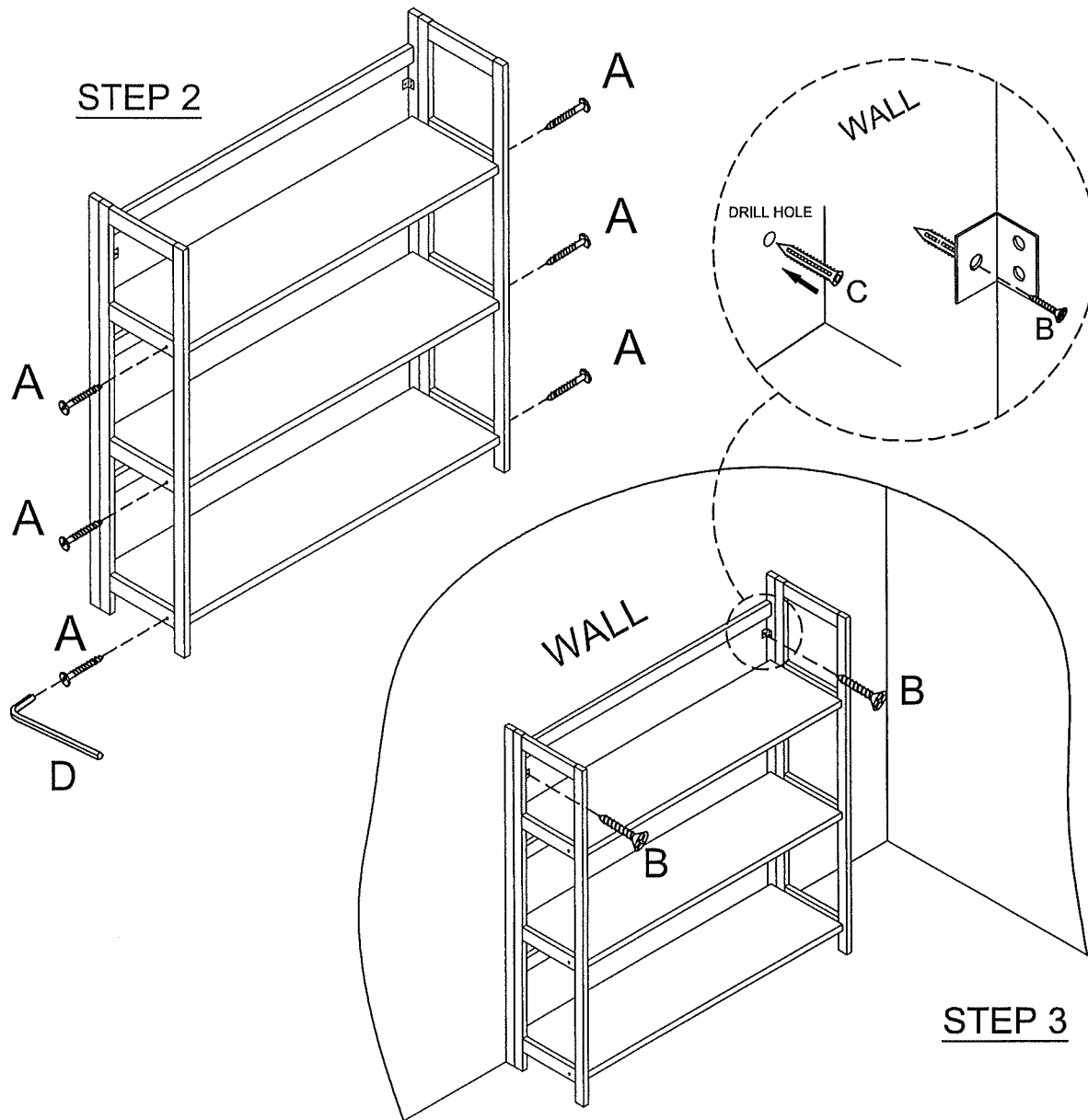
# ASSEMBLY INSTRUCTIONS - FOLDING BOOKCASE

page 2 of 3

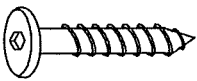
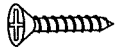
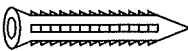
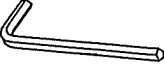


STEP 1





## HARDWARE LIST

A		SCREW 6 x 40 mm	06 pcs
B		SCREW 4 x 30 mm	02 pcs
C		PLASTIC ANCHOR	02 pcs
D		ALLEN KEY	01 pc