

Lipper

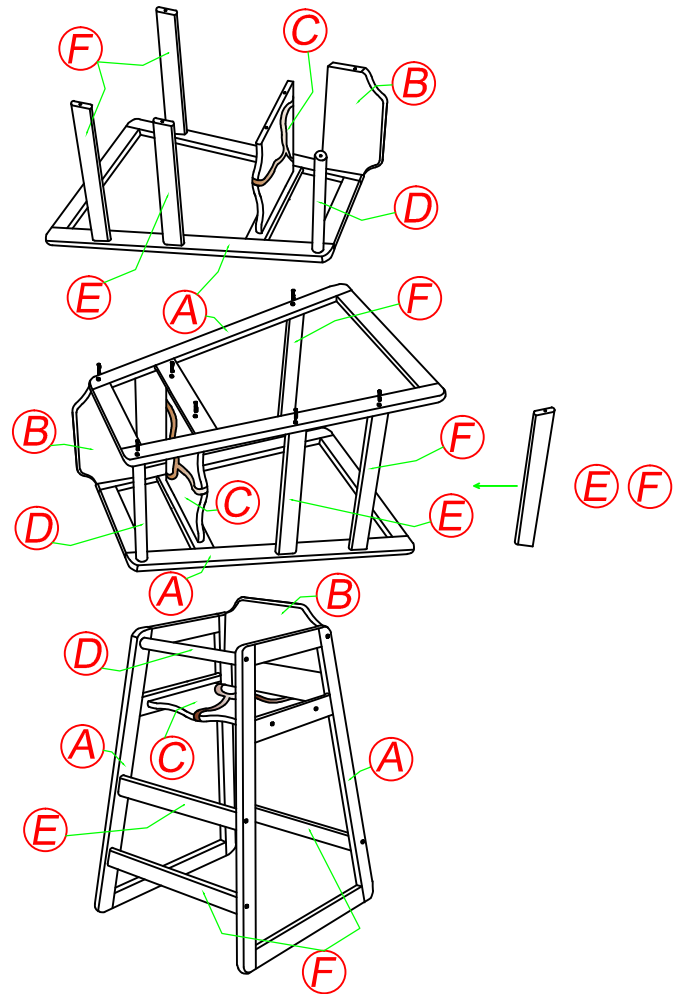
International Inc.
Wallingford, CT 06492

If you have any problems or questions about this product, please contact us Toll free on (800) 243 - 3129

ASSEMBLY INSTRUCTIONS - Item 516

Quantity	Description	Part
14	Screws	
02	Pre-assembled side panels	A
01	Back panel, 12" X 6-5/16"	B
01	Seat panel, 13 X 10-5/8" w/adj, straps	C
01	Barrier bar, 11-15/16" X 1-1/4' diam	D
01	Horizontal struts, 14-11/16" X 1-3/4"	E
02	Horizontal struts, 16-7/16" X 1-3/4"	F

1. Take side A and attach with screws (Loosely) back B into slot (warning sticker on the front).
2. Attach seat C into slot, Waist Belt screwed ends are at the bottom of seat.
3. Attach Bar and horizontal struts E&F to side making sure angle cuts are properly aligned (see diagram).
4. Place remaining side A in top and start installing screws (loosely).
5. Turn chair upright and tighten all screws.



WARNING: NEVER LEAVE CHILD IN HIGH CHAIR UNATTENDED

Maintenance: periodically tighten screws, as needed
Clean with mild detergent and soft cloth

CAUTION: Hardware Assembly Package Contains Small Parts. Adult Assembly Required