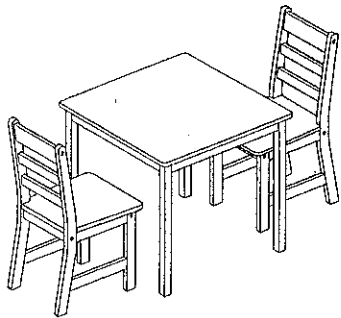


Casual Home

**Lipper**  
International Inc.

235 Washington Street, Wallingford, CT 06492  
Tel. (800) 243-3129

Assembly Instruction Sheet  
Item # 514  
Square Table & Chair Set

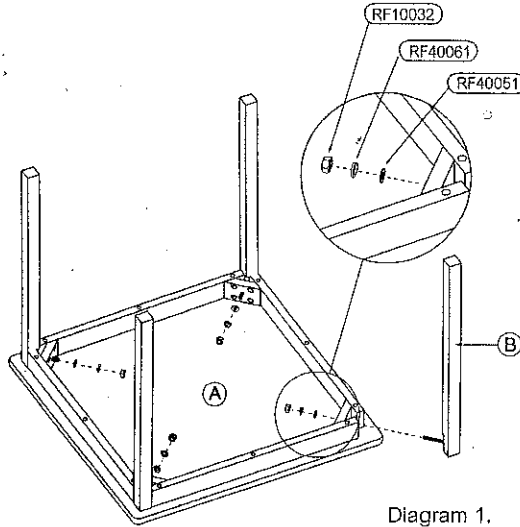
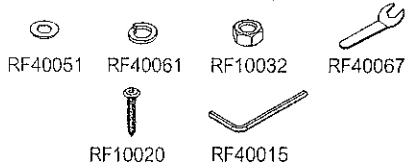


List of Parts

Parts	Description	Q'ty
A	Table Top	1
B	Leg	4
C	Chair Seat	2
D	Chair Left Frame	2
E	Chair Right Frame	2
F	Top Back Rest	2
G	Middle Back Rest	4

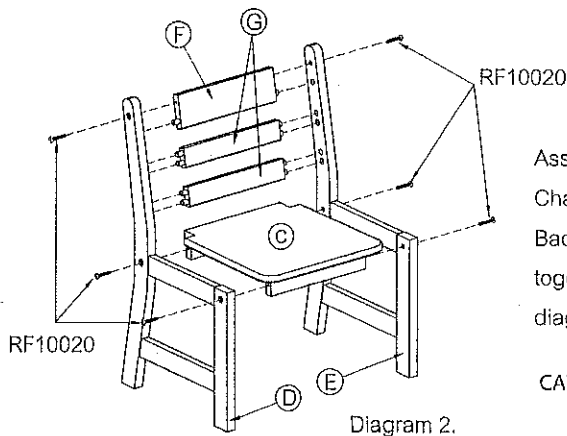
List of Hardware

Parts	Description	Q'ty
RF40051	Washer	4
RF40061	Spring Washer	4
RF10032	Nut	4
RF40067	Hex Wrench	1
RF10020	Allen Screw	12
RF40015	Allen Wrench	1



TABLE

Attach Leg (B) to the corner under the Table Top (A) by insert the bolt at the Leg using Washer (RF40051), Spring Washer (RF40061), Nut (RF10032) and tighten with Hex Wrench (RF40067) as per diag. 1.



CHAIR

Assemble the chair by attaching Chair Seat (C), Chair Left Frame (D), Top Back Rest (F), Middle Back Rest (G) and Chair Right Frame (E) together using 6 Allen Screws (RF10020) as per diag. 2.

CAUTION: Hardware Assembly Package Contains Small Parts Adult Assembly Required