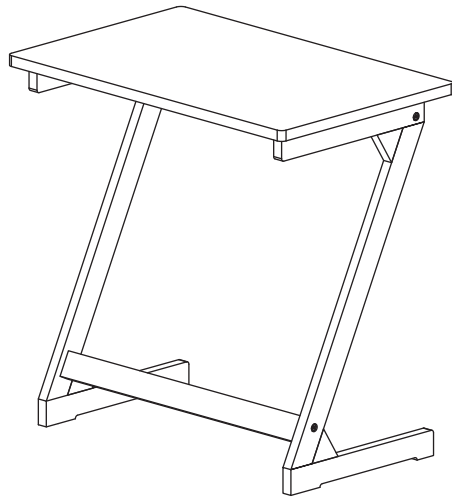


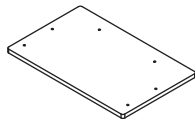
# Assembly Instructions

## Item# 542

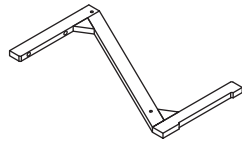
### ZigZag Table



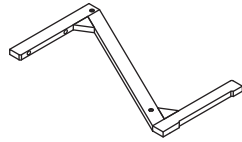
#### Part List



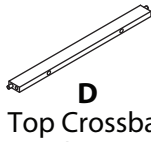
**A**  
Table Top  
1 pc.



**B**  
Left Panel  
1 pc.



**C**  
Right Panel  
1 pc.

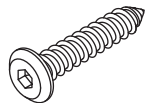


**D**  
Top Crossbar  
1 pc.



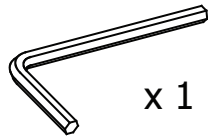
**E**  
Bottom Crossbar  
1 pc.

#### Hardware



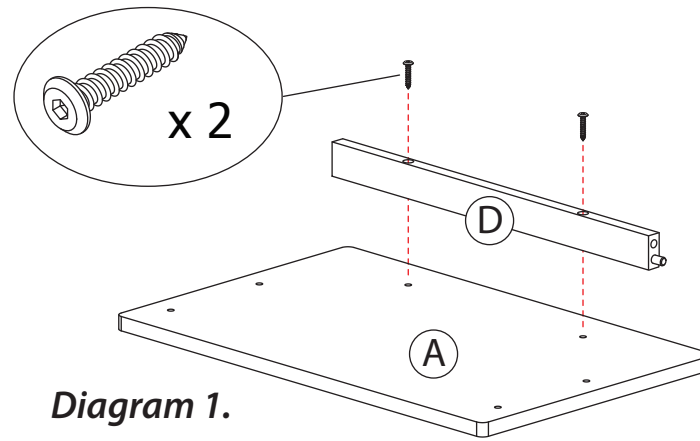
x 10

Screw  
JCA 1/4" x 38 mm



x 1

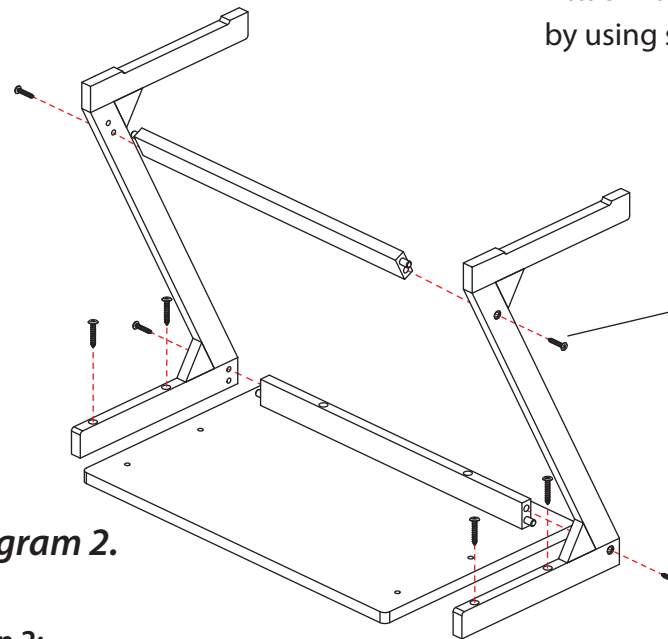
Allen Key



**Diagram 1.**

#### Step 1:

Attach Top Crossbar (D) into the Table Top (A) by using screw JCA 1/4" x 38 mm as per diagram 1.



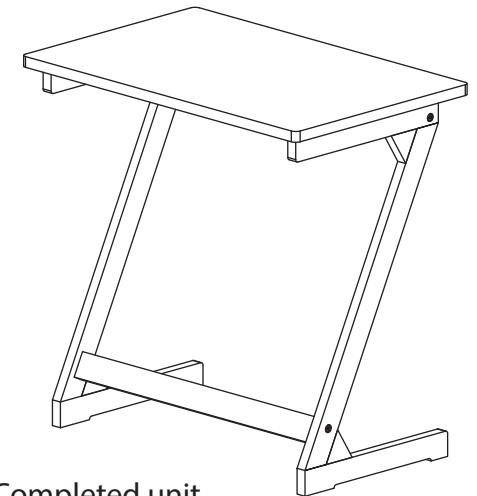
**Diagram 2.**

#### Step 2:

Attach Left Panel (B), Right Panel (C) and Bottom Crossbar (E) into the unit by using screw JCA 1/4" x 38 mm as per diagram 2.

# Lipper

International Inc.  
235 Washington Street, Wallingford, CT 06492  
Tel. (800) 243-3129



Completed unit.