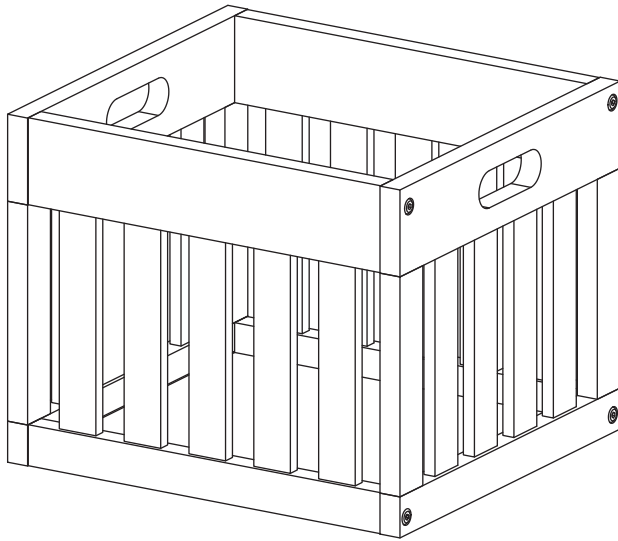


# Assembly Instruction

## Item# 540

### Wooden Storage Crate



**Lipper**  
International Inc.  
235 Washington Street, Wallingford, CT 06492  
Tel. (800) 243-3129

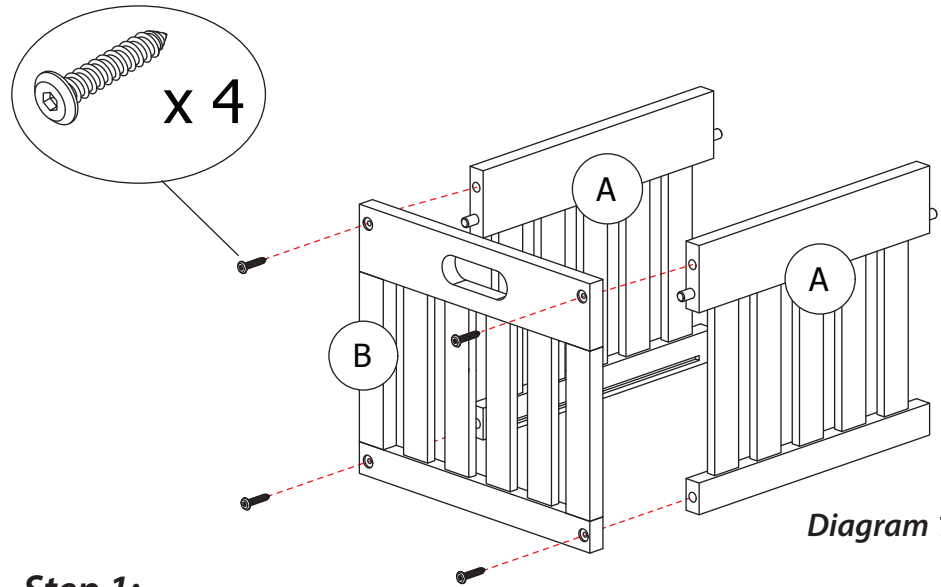
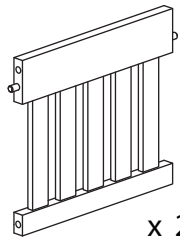


Diagram 1.

#### Step 1:

Attach Front & Back Panels (A) into a Side Panel (B) by using screws JCA 1/4" x 38 mm as per diagram 1.

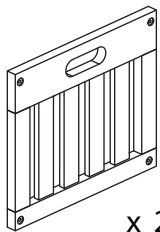
#### Part List



x 2

A

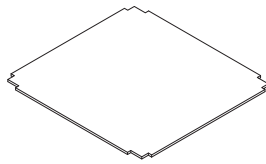
Front & Back Panel



x 2

B

Side Panel

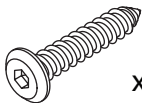


x 1

C

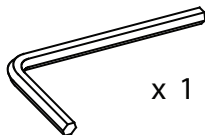
Bottom Plate

#### Hardware



x 8

Screw  
JCA 1/4" x 38 mm



x 1

Allen wrench

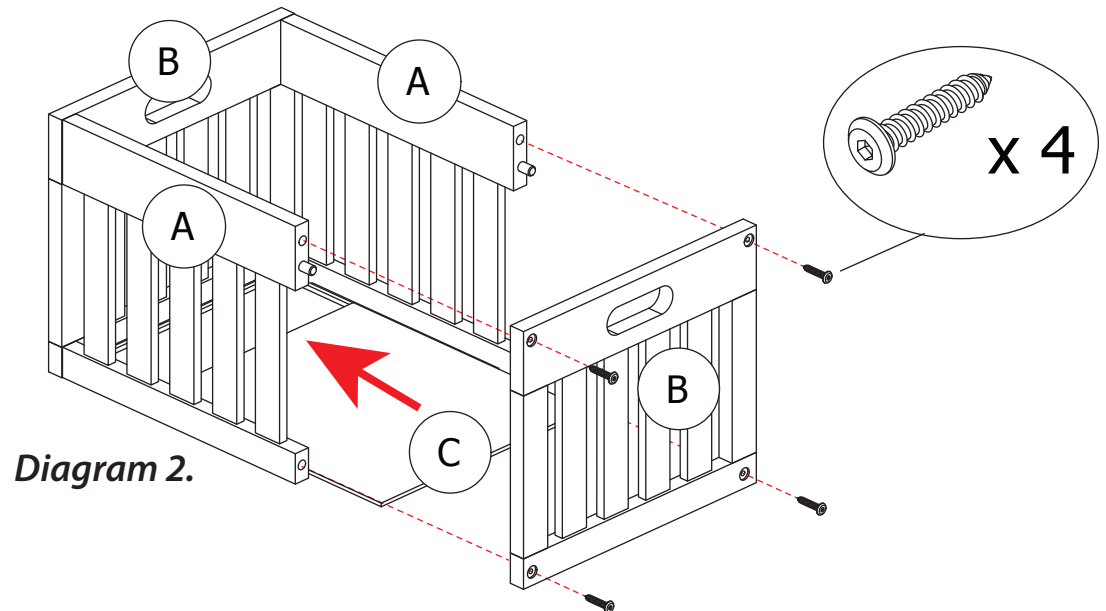


Diagram 2.

#### Step 2:

Insert Bottom Plate (C) into the grooves. Then, attach the other Side Panel (B) by using screw JCA 1/4" x 38 mm as per diagram 2.