

# **FOLDING HIGHCHAIR**

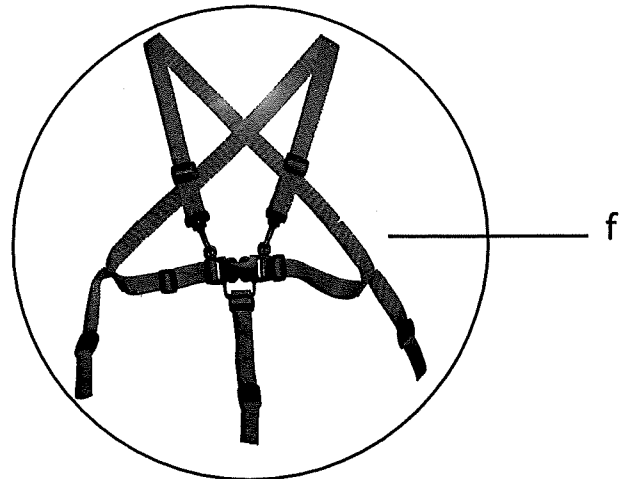
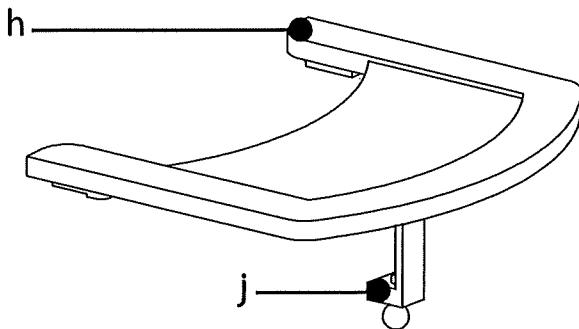
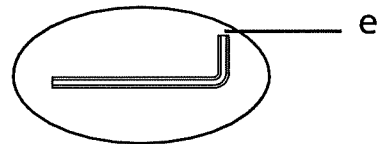
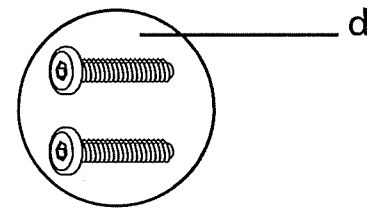
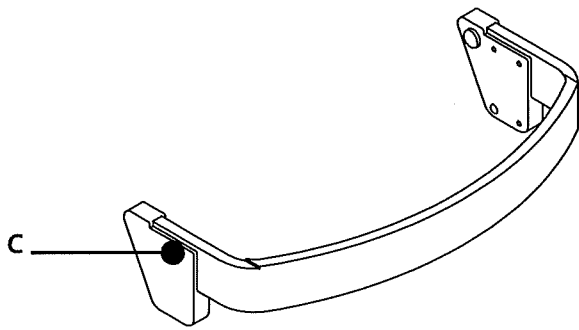
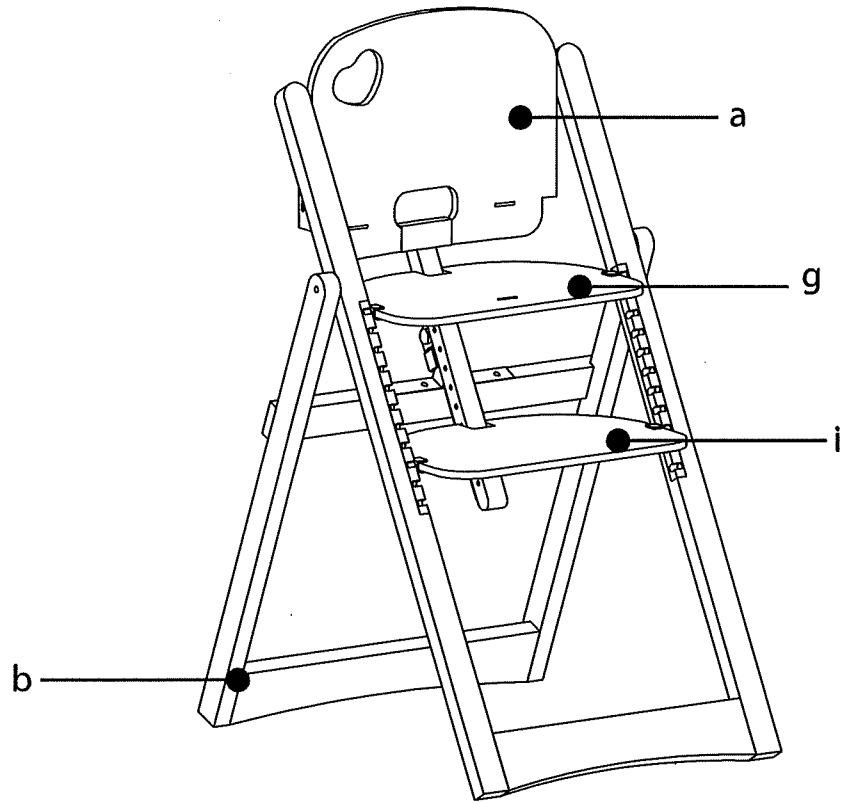
## **# 518**

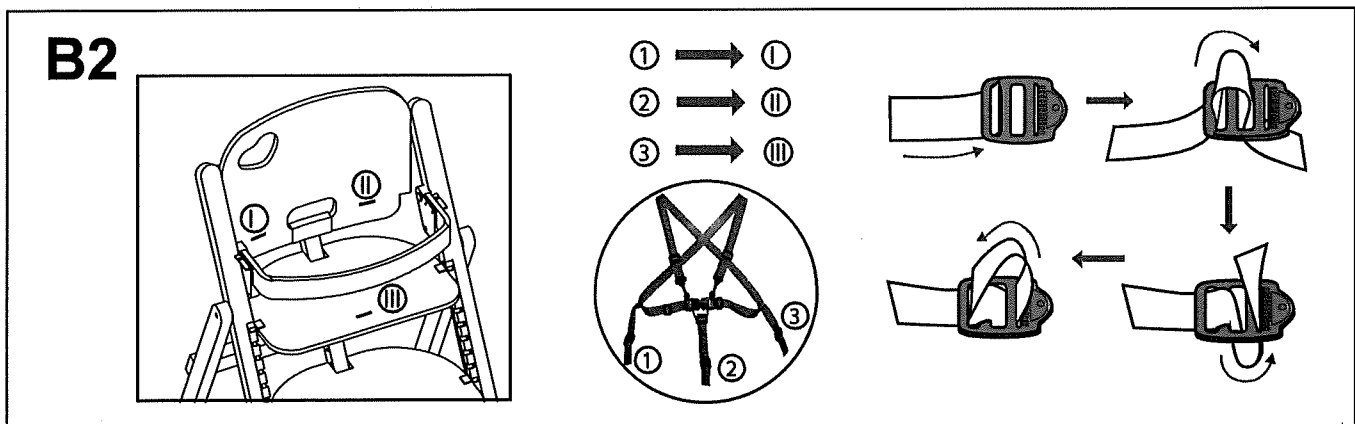
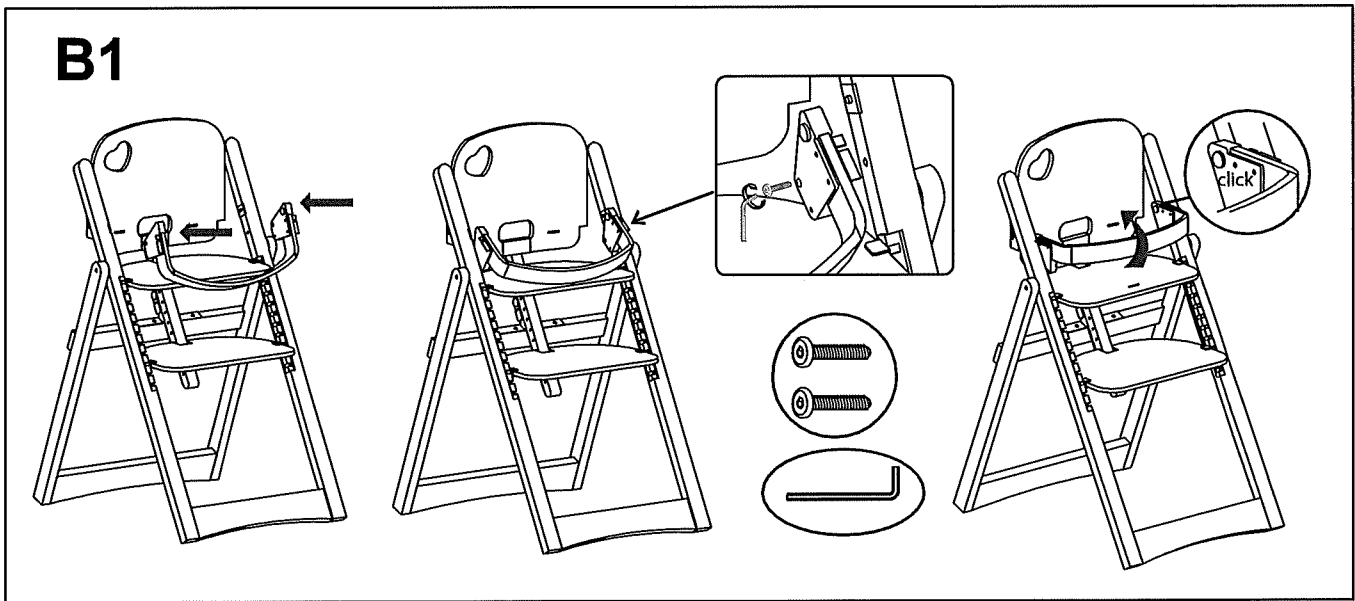
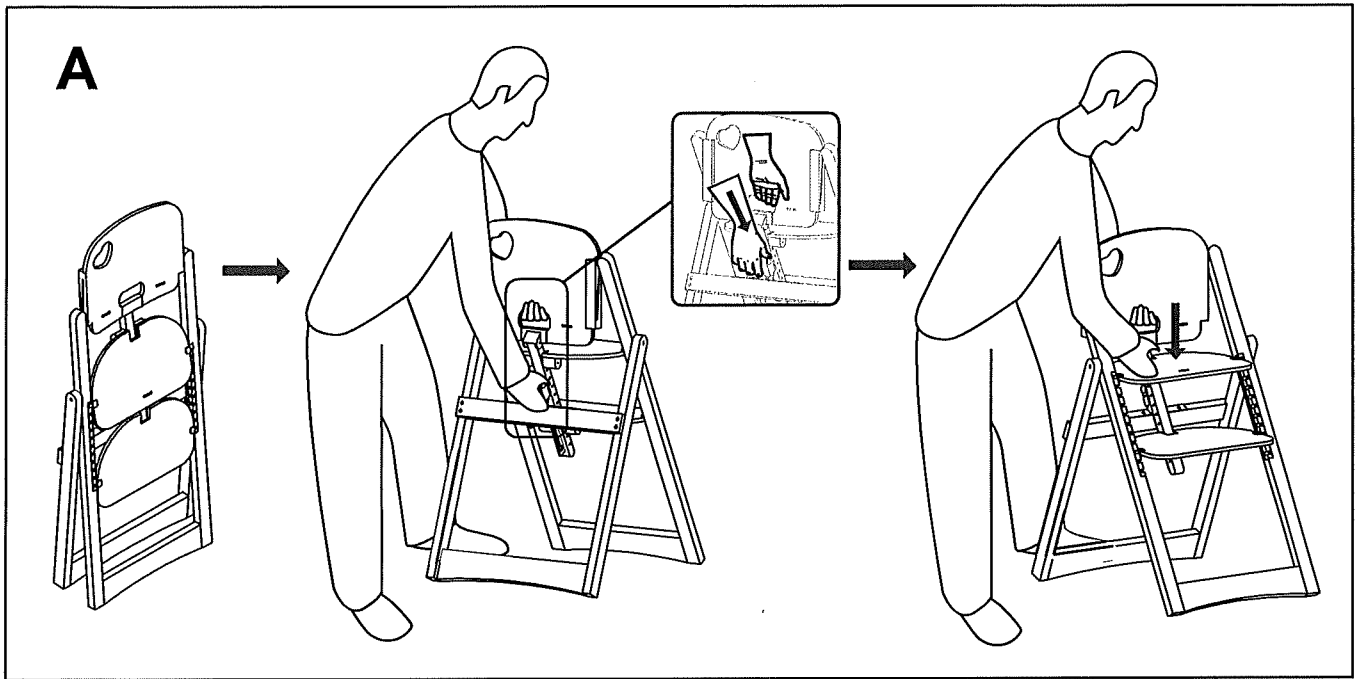


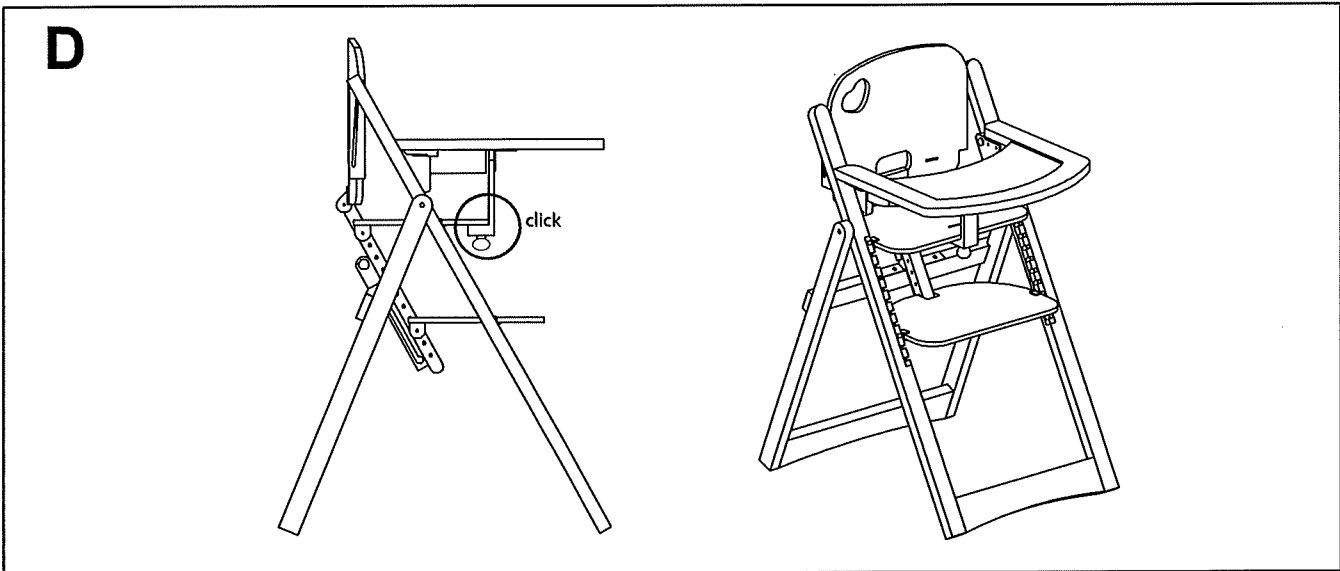
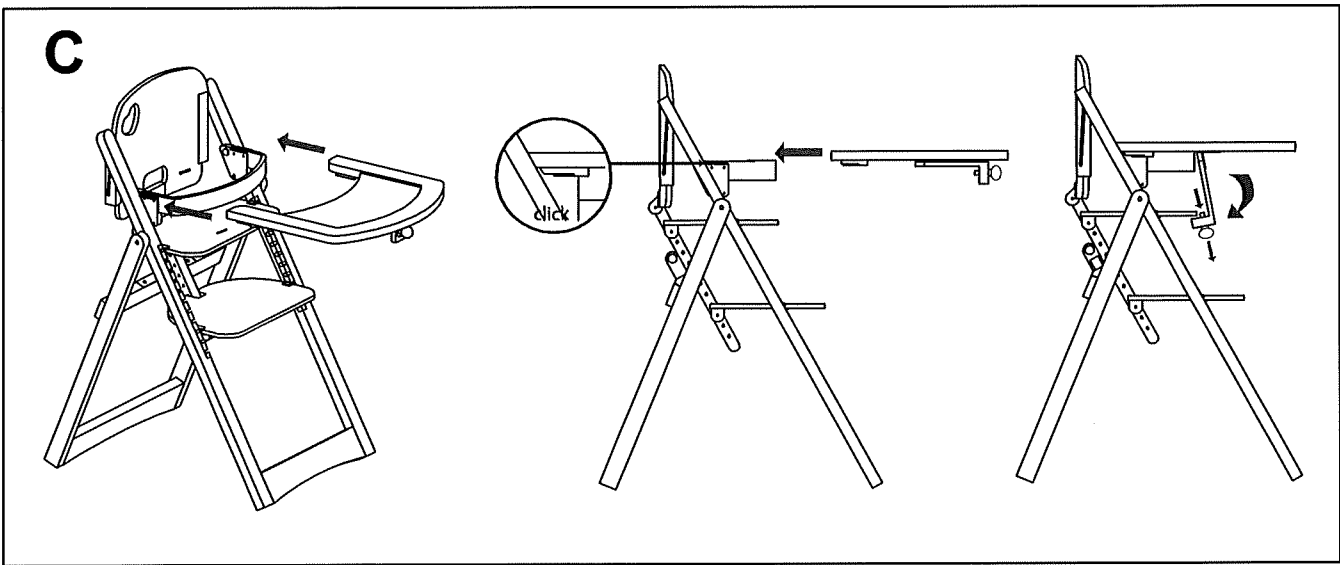
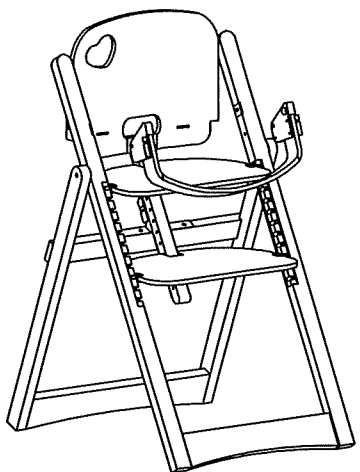
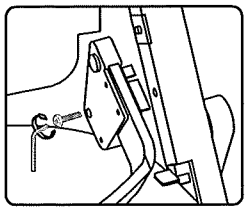
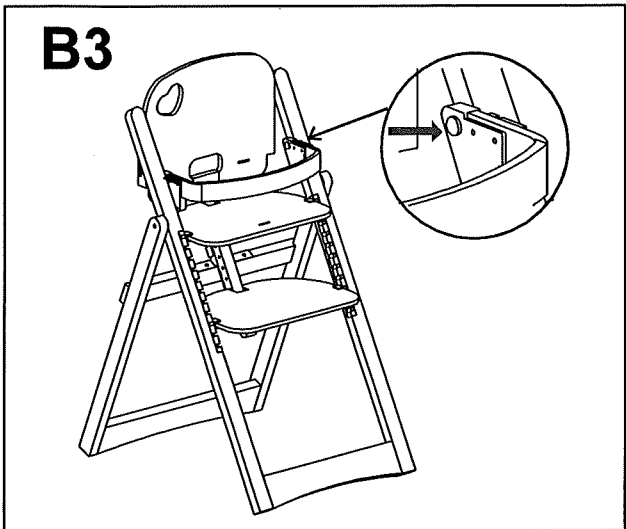
Lipper International Inc.

235 Washington Street  
Wallingford, CT 06492  
Telephone: (800) 243-3129, or (203) 269-8588

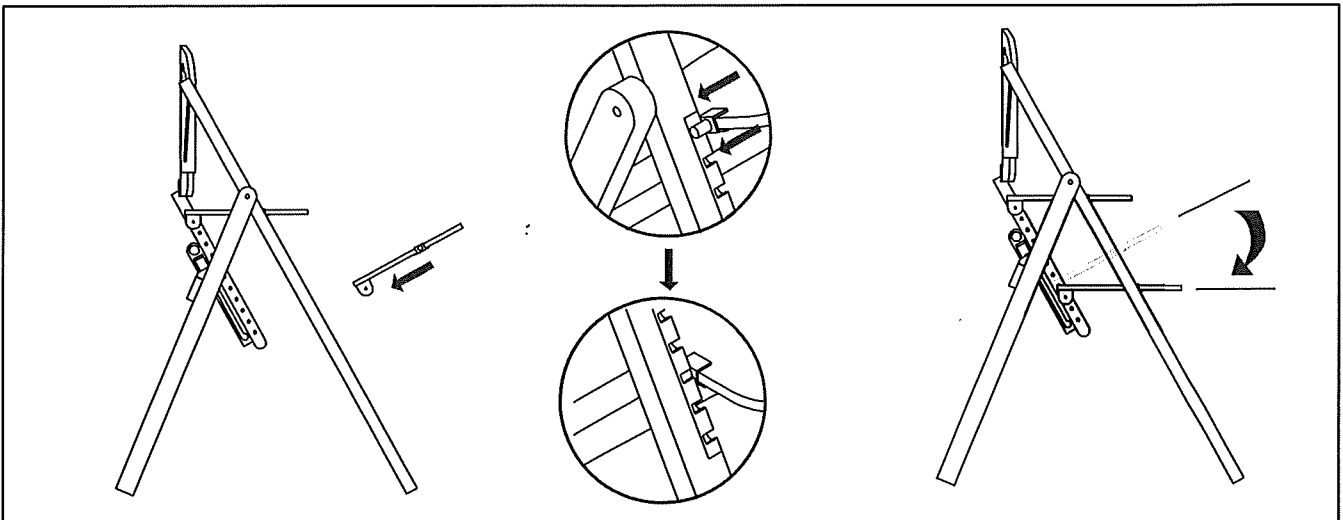
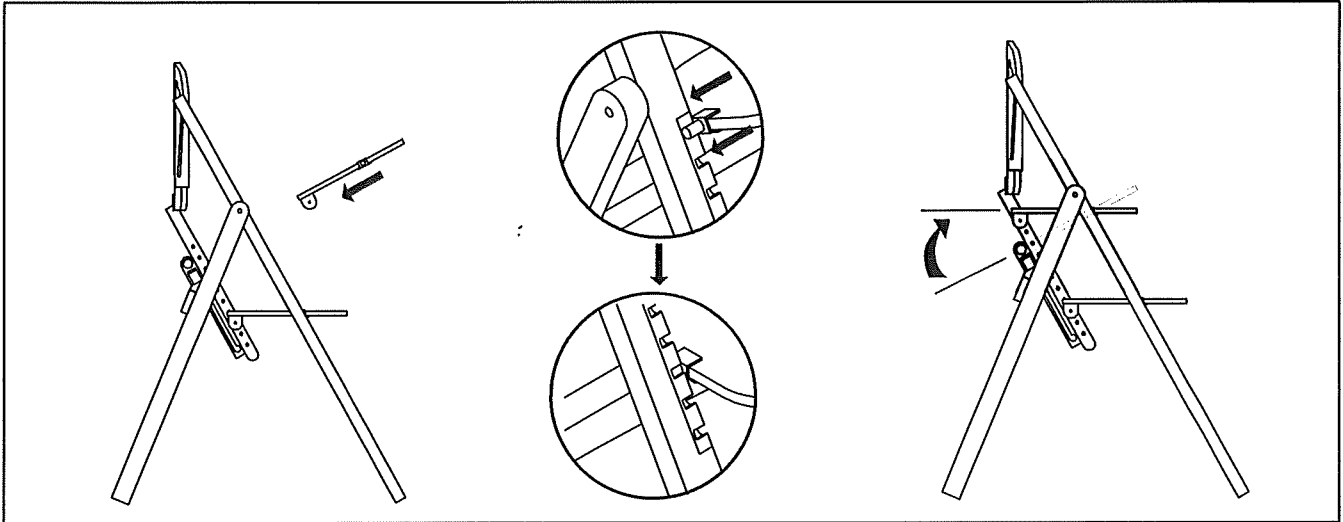
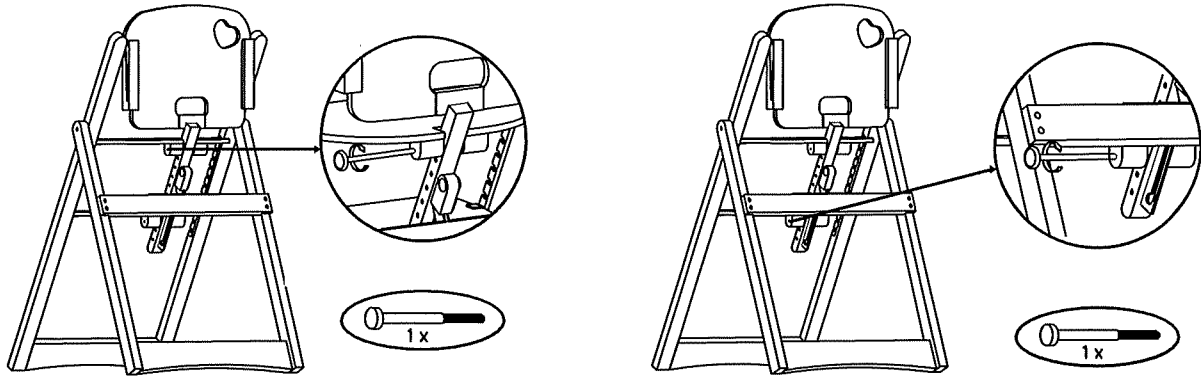
"Power Tools Not Recommended"



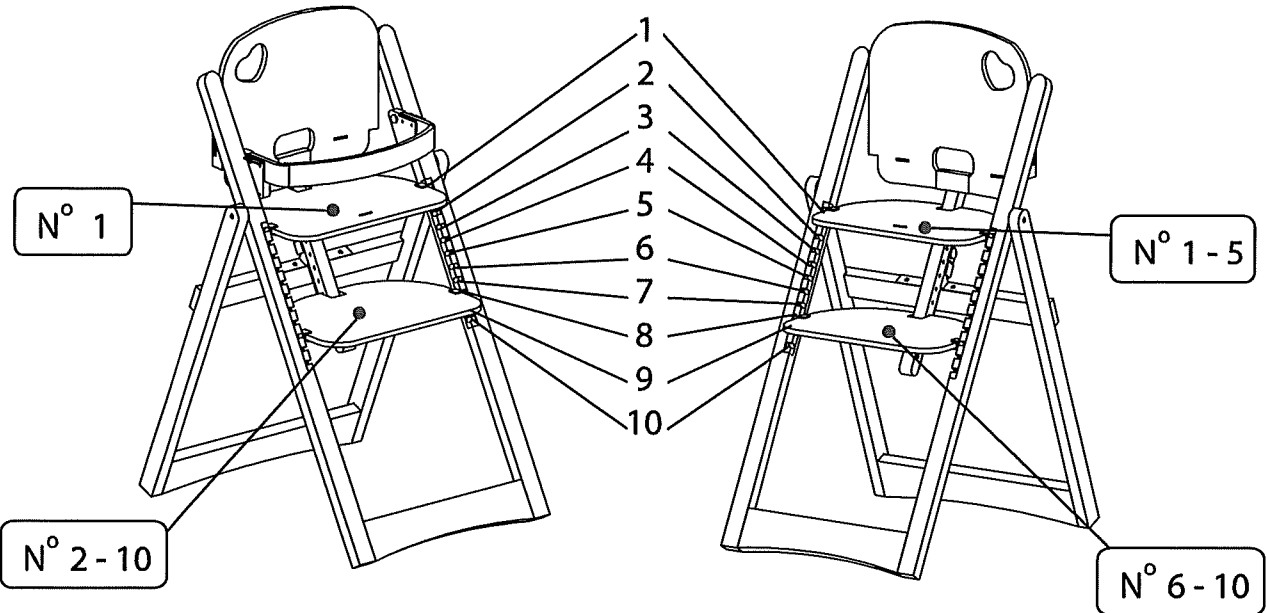




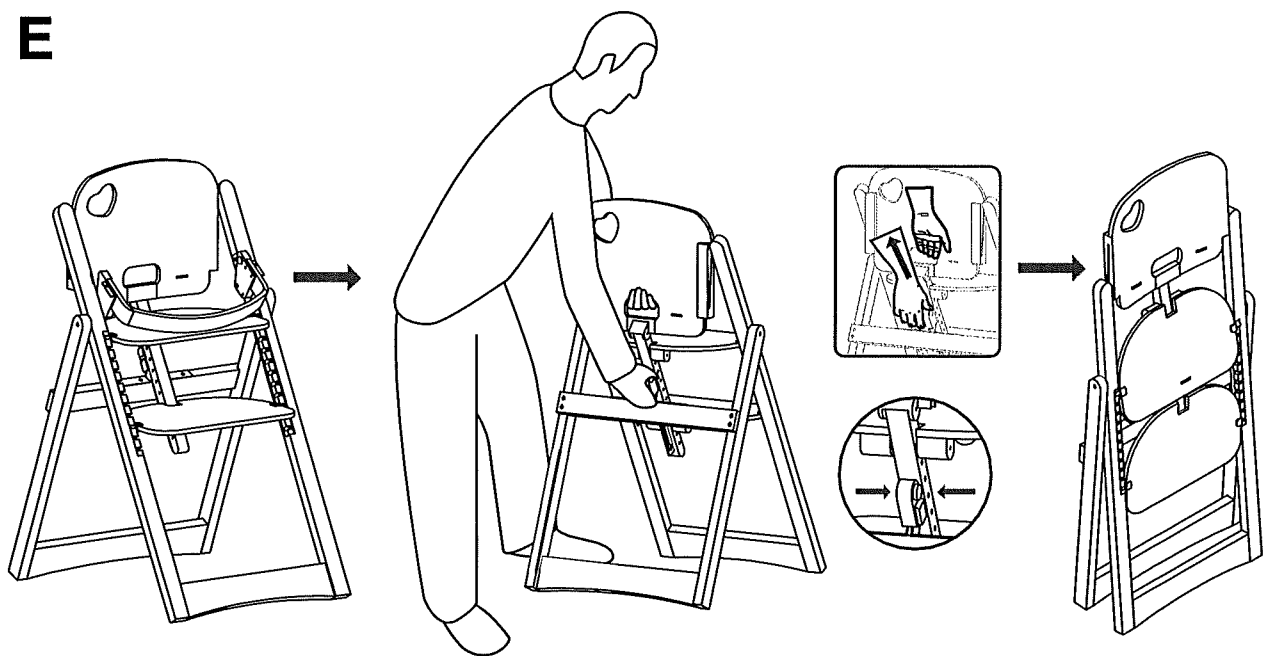
**D1**



# D2



# E



# IMPORTANT – PLEASE KEEP THESE INSTRUCTIONS FOR FUTURE USE – READ THEM CAREFULLY .

## PLEASE COMPLY WITH THESE SAFETY INSTRUCTIONS

- The assembly and adjusting operations must be carried out by an adult .
- Do not use the highchair if any part is broken, torn or missing.
- Keep small pieces away from children.
- The chair may only be opened and locked fully after having pressed down on the seat.

## WARNINGS

- **NEVER LEAVE THE INFANT WITHOUT SUPERVISION.**
- Not suitable for children weighing over 85 lbs.
- Do not use the highchair unless all the parts are properly fixed and adjusted, or if a part is missing.
- Only use the highchair if the infant is capable of sitting up unaided.
- **ALWAYS USE THE SAFETY HARNESS** to prevent the infant from falling or slipping. Never allow the infant to play with the safety harness. **MAKE SURE THE SAFETY HARNESS IS FIXED SECURELY** before use, every time.
- Do not adjust when the infant is seated in the highchair.
- The removable tray and safety bar are not designed to take the infant's weight or to hold the infant in the seated position. They do not replace the safety harness.
- Be careful to position the infant's arms and legs properly when fitting him/her into the chair.
- Do not use the highchair near steps or stairs.
- Do not put the highchair on a surface high up.
- Use the chair only on a flat, horizontal and clear surface.
- Keep the highchair well away from any naked flame or source of intense heat such as electrical or gas appliances.
- Keep the highchair well away from extension leads, cookers, electric sockets, etc or any object which the infant might find within its reach.
- Do not lift the highchair using the removable tray.
- Never lift or carry the highchair with the infant in it.
- Do not allow the infant to play with the highchair folded up.
- Keep the plastic bags of the packaging out of reach of babies and young children to avoid any risk of suffocation.

## HIGHCHAIR COMPONENTS.

- a- Back rest
- b- Rear foot support
- c- Safety bar
- d- 2 screws
- e- Spanner
- f- Safety harness
- g- Seat
- h- Tray
- i- Footrest
- j- Crotch bracket

## ASSEMBLING THE HIGHCHAIR

### A.Unfolding the highchair

Grasp central hole in the chair back (a) with one hand. Using the other hand, pull the rear foot support (b) towards you.  
To finish , press down on the seat. (g)

### B.How to use the safety bar (c)

#### **B1. Fitting the safety bar(c)**

Position the safety bar (c) on the highchair, then attach using the 2 screws (d) and spanner (e) provided. Lift the safety bar (c) by clicking it into position. Check that safety bar (c) is fixed properly.

#### **B2. Fitting the safety harness(f)**

Insert the three ends of the three-point safety harness (f) in the slots: two slots in the seat back (a) and one slot in the seat (g) . Press the central button to open the three-point harness(f).  
Caution! Always use both the safety harness(f) and the safety bar(c) together.

#### **B3.Lower the safety bar (c)**

To lower the safety bar (c) , press on the two buttons (c) located inside the bar at the same time.

#### **B4. Removing the safety bar(c)**

Lower the safety bar (c) as explained above, and unscrew the 2 sides of the bar using the spanner (e) provided.



## **C.Using the tray (h)**

### **C1. Fitting the tray (h)**

Slide the tray (h) onto the safety bar (c) . Once the tray has been installed, lower the crotch bracket (j) and clip it in the slot.

Check that the tray (h) is properly attached to the safety bar (c) .

### **C2. Lower the tray (h)**

To lower the tray (h) , follow the same instructions as for lowering the safety bar (c) .

### **C3. Removing the tray (h)**

Pull down the knob to unclip the crotch bracket(j) from the seat (g) .

## **D.Position of the seat (g) and footrest (i)**

### **D1. Changing the position**

To change the position of the footrest (i) or seat (g) , unscrew the plastic part located behind the chair. Reposition the seat (g) or the footrest (i) at the appropriate notch, then screw back again.

### **D2. Positions for the seat (g) and footrest(i)**

There are a total of 10 positioning notches for the seat(g) and footrest(i).

- For an infant age 6 to 18 months, use the complete highchair assembly including safety bar (c) , safety harness(f) and tray(h) . In this case, use position 1 for the seat(g) , and position 2 to 10 for the footrest (i).
- Once baby is 18 months old, keep the safety bar (c) and safety harness(f) , but remove the tray(h) so that baby can sit at the table.
- From 3 years onwards, remove the safety bar(c) , the safety harness(f) and tray (h) . In this case, use position 1 to 5 for the seat (g), and position 6 to 10 for the footrest(i).

## **E.Folding the highchair.**

For more compact storage, unclip the crotch bracket (j) from the seat (g), then lower the tray (h).

Press the button located behind the chair while at the same time lifting it and holding the rear foot of the chair (b) down with your foot.

### **SAFETY PRECAUTIONS AND MAINTENANCE**

- Clean regularly with hot water and a clean cloth.
- An occasional application of furniture wax will help keep highchair looking good.
- Check all fixings regularly to ensure they remain properly tightened.
- Use only spare parts provided by Lipper International Inc.

**Thank for your choosing folding highchair # 518.**