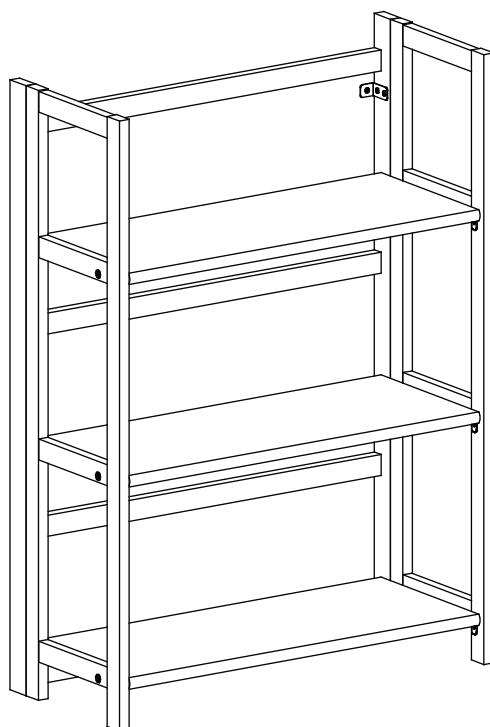


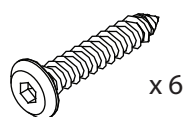
Assembly Instruction

Item# 517

3 Shelf Folding Bookcase

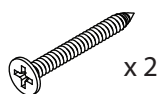


Hardware



x 6

JCA 1/4 x 32



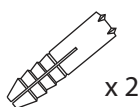
x 2

F6 x 1 1/4"



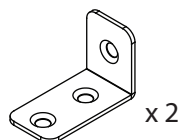
x 4

F6 x 5/8"



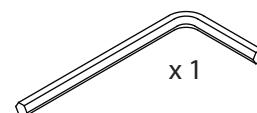
x 2

Wall Anchor



x 2

L-Bracket



x 1

Allen Key

Adult Assembly Only

TO ENSURE CHILD'S SAFETY, PLEASE SECURE
BOOKSHELVES AND ATTACH BOOKCASE TO WALL AS SHOWN IN STEP 2 AND 3

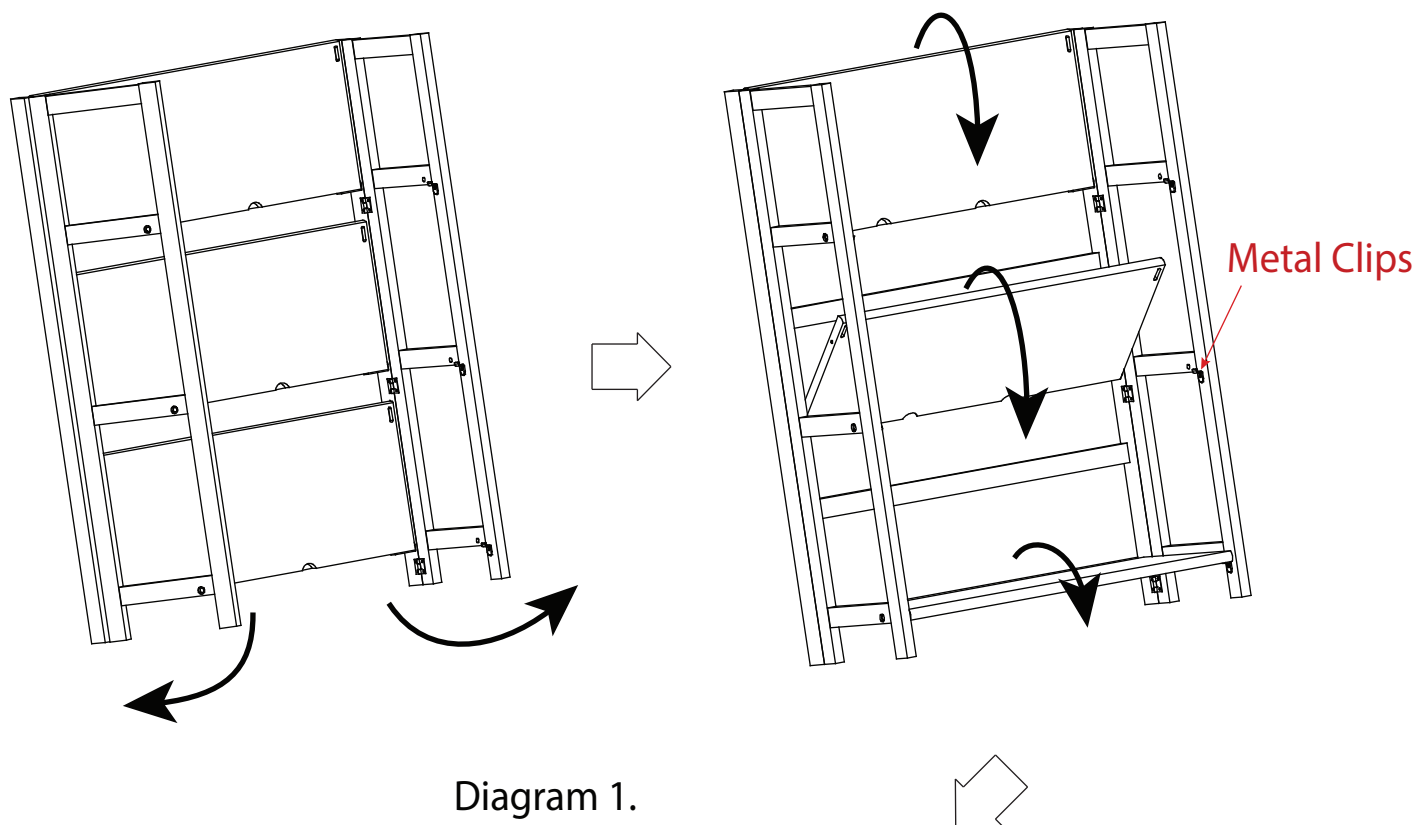
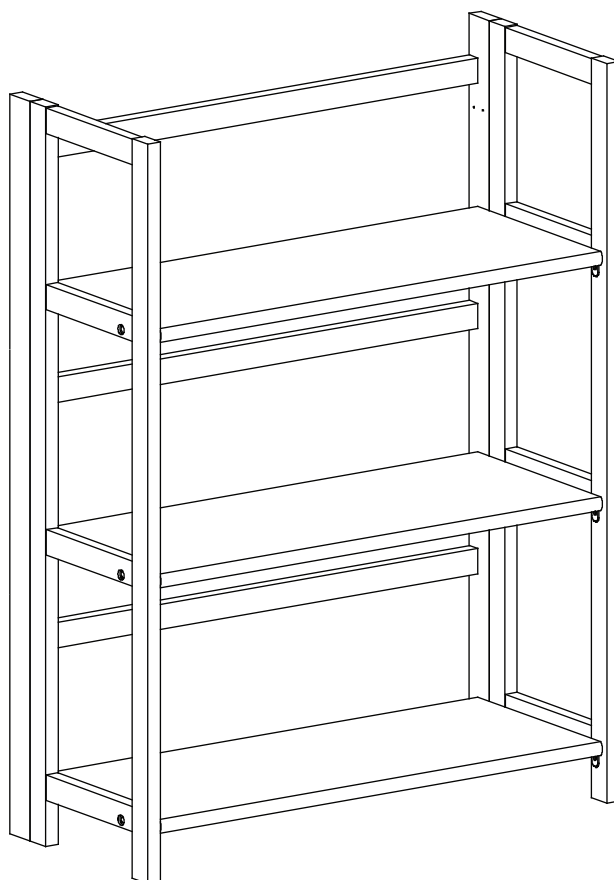


Diagram 1.



Step 1.

Open side panels and while they are opened lower each shelf as per diagram 1. Make sure each shelf rests on the metal clip one on each side of the side panels.

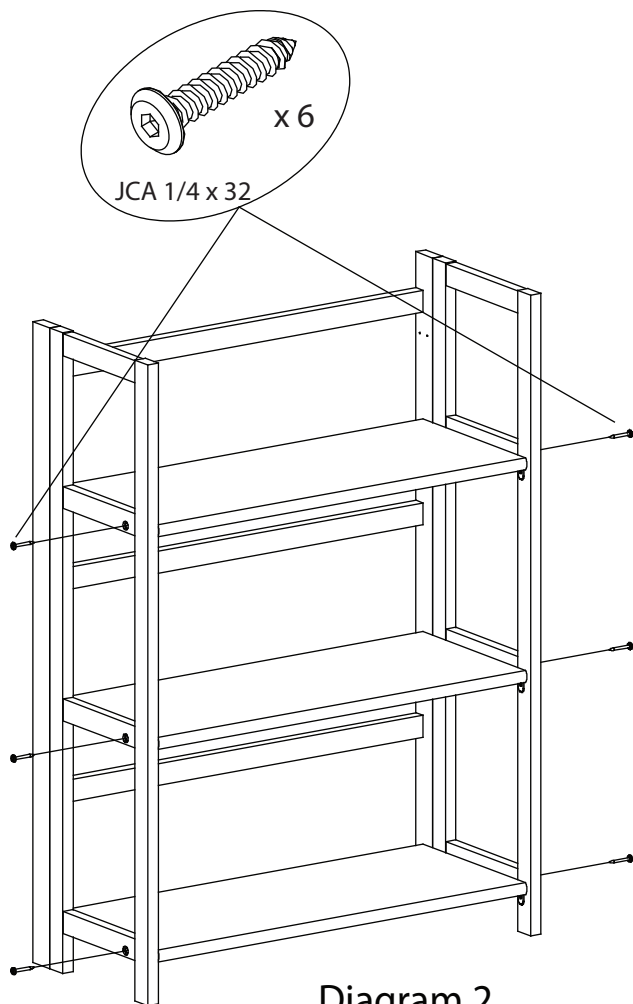


Diagram 2.

Step2.

Tighten the screws as per diagram 2.

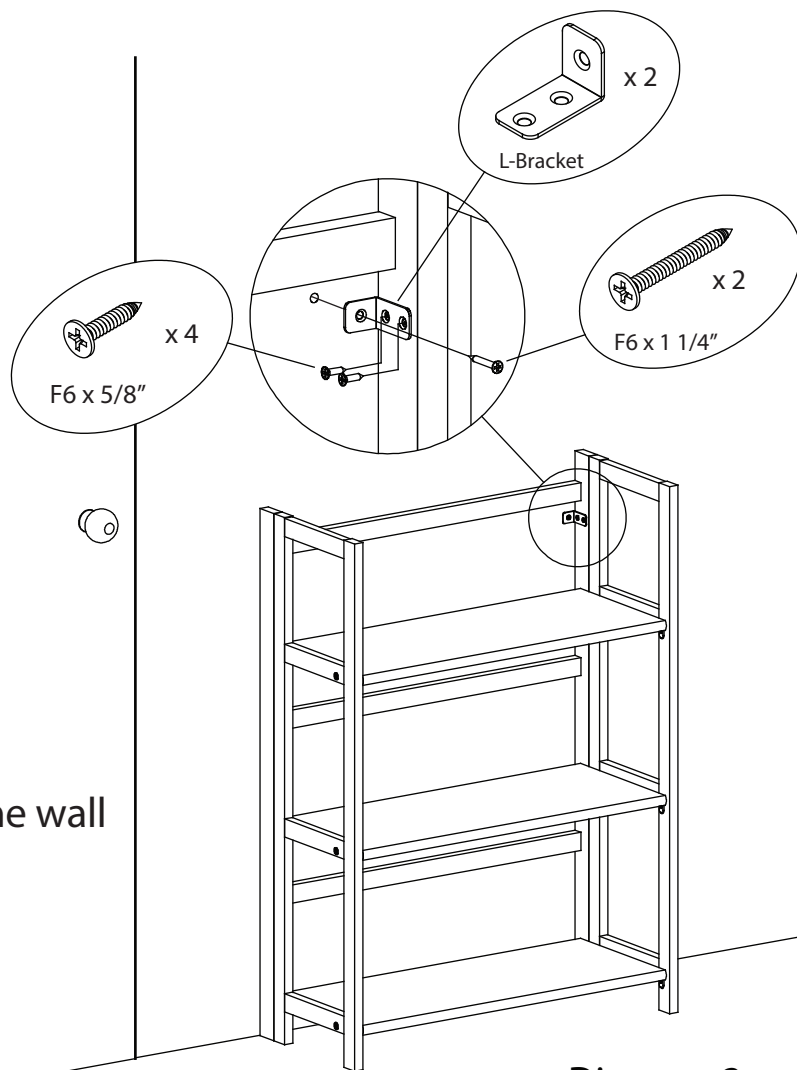


Diagram 3.

Step3.

To attach the shelf to the wall, use Metal Plate, screws P6 x 1 1/4" and screws P6 x 5/8" to attach the bookcase through the studs into the wall as per diagram 3.