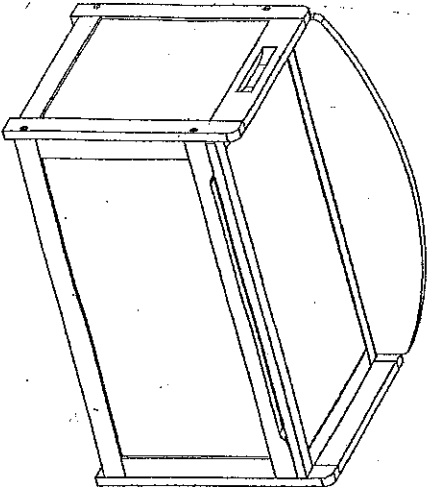


Assembly Instruction Sheet

Item #598

Child's Toy Box

Serial #
603160286-7625

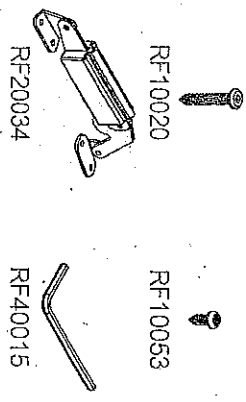


List of Parts

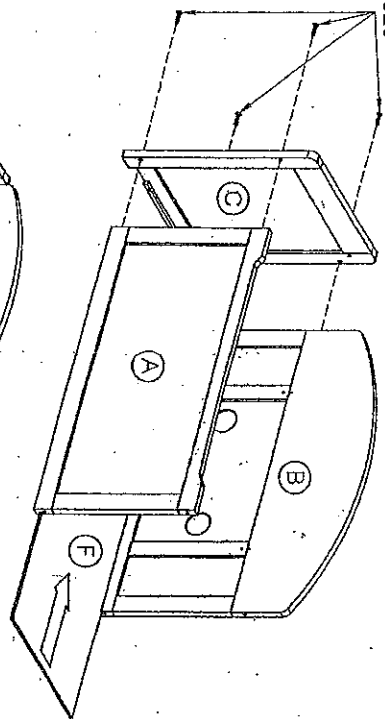
Parts	Description	Qty
A	Front Panel	1
B	Back Panel	1
C	Left Panel	1
D	Right Panel	1
E	Lid	1
F	Base	1

List of Hardware

Parts	Description	Qty
RF10020	Large Allen Screw	8
RF10053	Small Phillips Screw	8
RF20034	Safety Hinge	2
RF40015	Allen Wrench	1

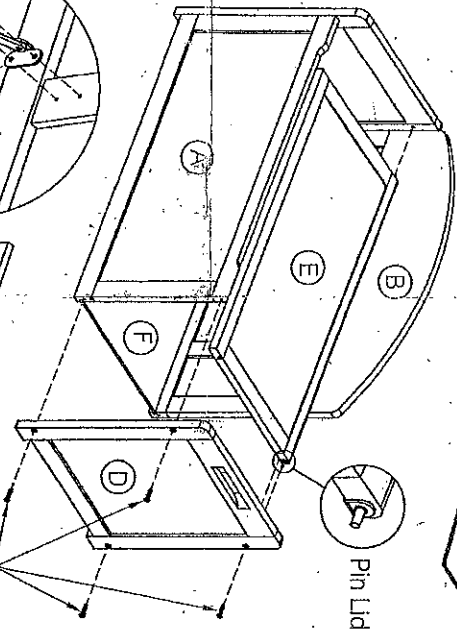


RF10020



Step 1.

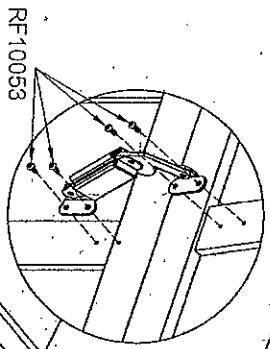
Attach Left Panel (C) to Front Panel (A) and Back Panel (B) using 4 Large Allen Screw (RF10020), tighten with Allen Wrench (RF40015). Slide Base (F) in between Front Panel (A) and Back Panel (B) along the grooves.
*Phillips screwdriver not include.



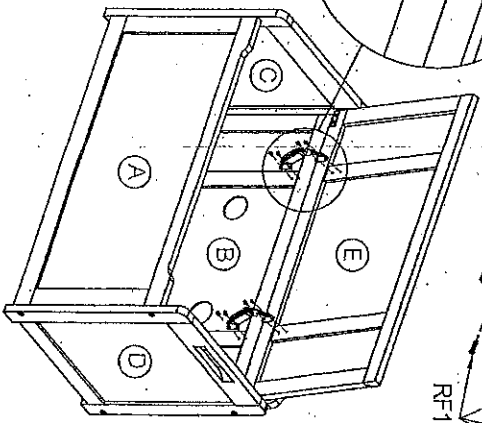
Pin Lid

Step 2.

Insert pins at the bottom of Lid (E) into the pivot holes on Left Panel (C), attach Right Panel (D) to the unit using 4 Large Allen Screw (RF10020).



RF10053



Step 3.

Attach the 2 Safety Hinges (RF20034) to the Back Panel (B) and the Lid (E) using 8 Small Phillips Screws (RF10053), tighten with phillips screwdriver.
*Must attach Lid (E) support with Back Panel (B) first.

CAUTION: Hardware Assembly Package Contains Small Parts
Adult Assembly Required

Tipper

International Inc.
235 Washington Street, Wallingford, CT 06492
Tel. (800) 243-3129