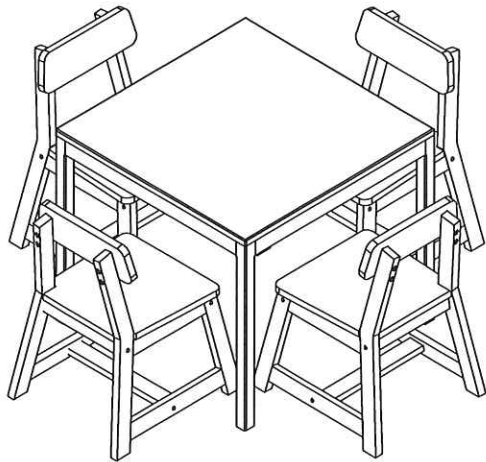


Assembly Instruction Sheet
Item# 585
Square Table & 4 Chairs



List of Parts

Parts	Description	Q'ty
A	Table Top	1
B	Leg	4
C1	Chair Left Frame	4
C2	Chair Right Frame	4
D	Seat	4
E	Back Rest	4
F	Bottom Crossbar	4

Hardware



Lipper
International Inc.
235 Washington Street, Wallingford, CT 06492
Tel. (800) 243-3129

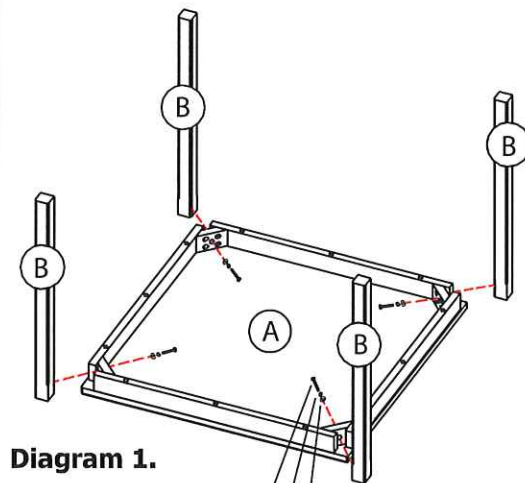


Diagram 1.

RF10034
RF40193
RF40052

Table
Attach the Legs (B) to the Table Top (A) using Screws JCB M6 x 50 (RF10034), Spring Washer (RF40193) and Washer (RF40052) as per diag. 1.

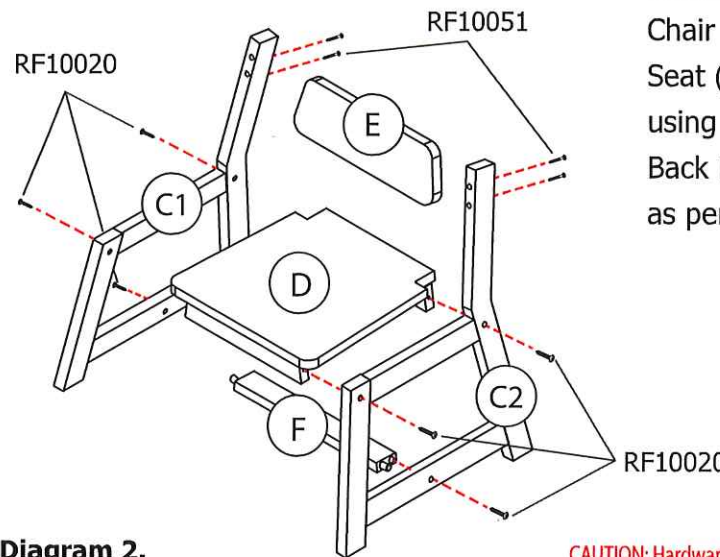
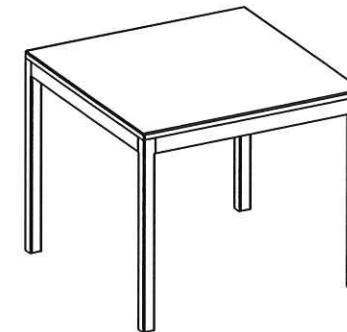
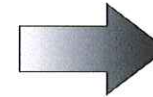
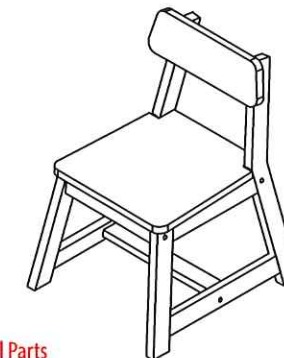
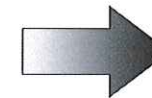


Diagram 2.

Chairs
Assemble each chair by attaching Chair Left Frame (C1), Chair Right Frame (C2), Seat (D), Bottom Crossbar (F) together using Screw JCA 1/4" x 38 (RF10020) and Back Rest (E) using Screw JCA 1/4" x 50 (RF10051) as per diag. 2.



CAUTION: Hardware Assembly Package Contains Small Parts
Adult Assembly Required