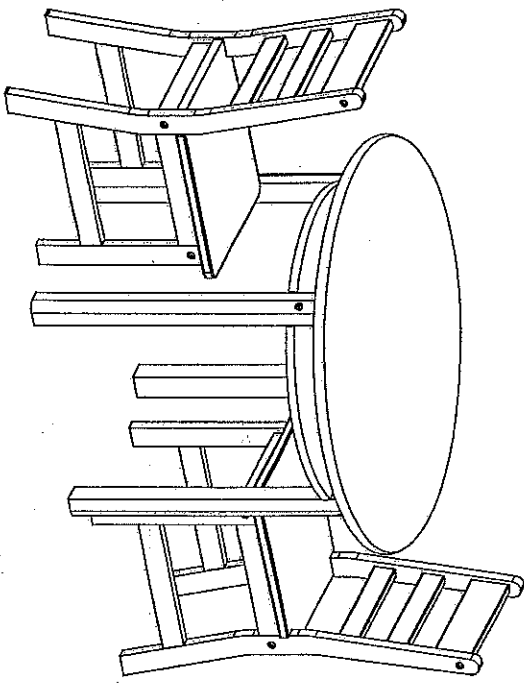


*Casual Home*

# Assembly Instruction Sheet

## Item #524

### Round Table W/2 Chairs

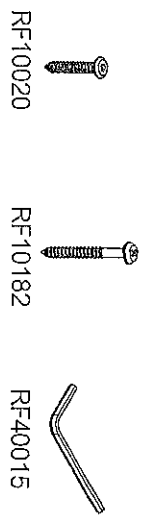


List of Parts

Parts	Description	Qty
A	Table Top	1
B	Leg	4
C	Seat	2
D	Chair Left Frame	2
E	Chair Right Frame	2
F	Top Back Rest	2
G	Middle Back Rest	4

List of Hardware

Parts	Description	Qty
RF10020	Short Allen Screw	12
RF10182	Long Phillips Screw	8
RF40015	Allen Wrench	1



**RECOMMENDATION:**  
FOR EASIER ASSEMBLY OF TABLE LEGS TO TABLE TOP, ROLL SCREW THREADS OVER WET/SOFT BAR OF SOAP.

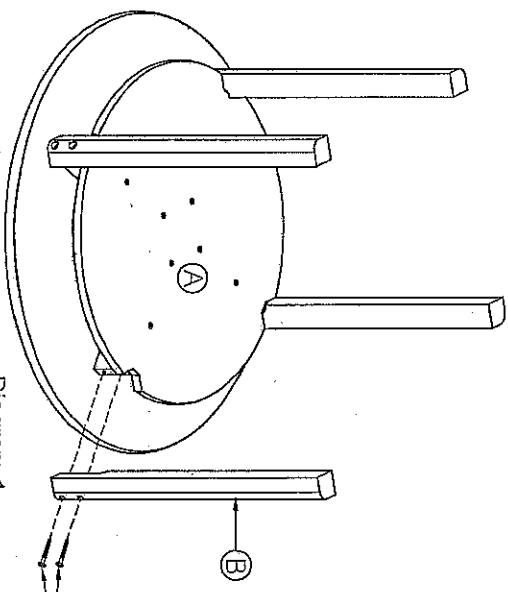


Diagram 1.

#### TABLE

Attach the 4 Legs (B) to the Table Top (A) using 8 Long Phillips Screws (RF10182) as per diag. 1.

\*Phillips Screwdriver not include.

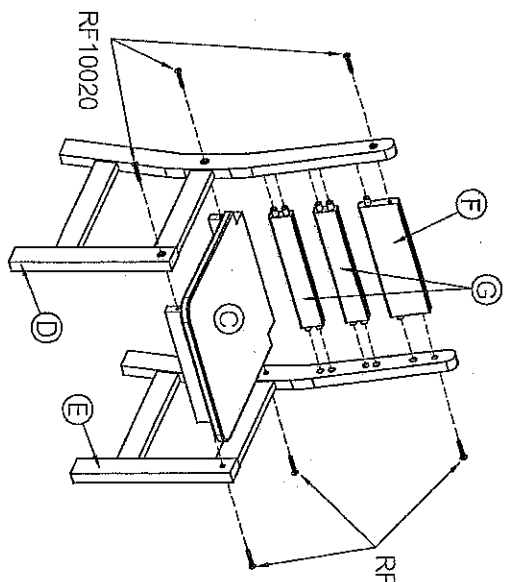


Diagram 2.

#### CHAIR

Assemble each chair by attaching Seat (C), Chair Left Frame (D), Top Back Rest (F), Middle Back Rest (G) and Chair Right Frame (E) together using 6 Short Allen Screws (RF10020) as per diag. 2.

**CAUTION:** Hardware Assembly Package Contains Small Parts Adult Assembly Required

**Tipper**  
International Inc.  
235 Washington Street, Wallingford, CT 06492  
Tel. (800) 243-3129