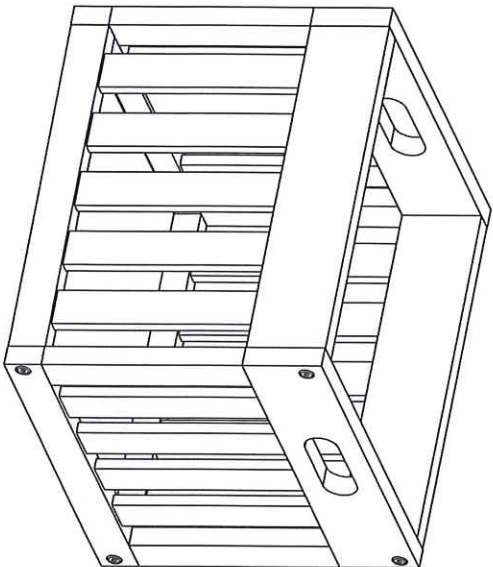


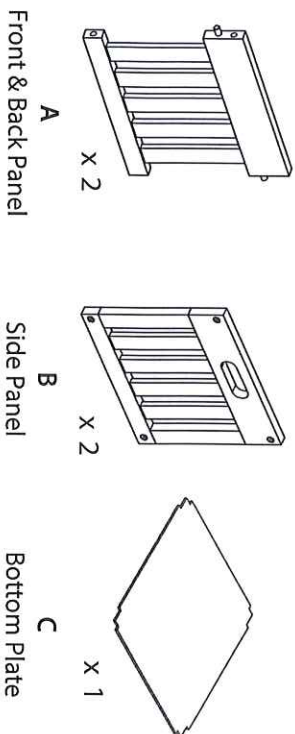
Assembly Instruction

Item# 540

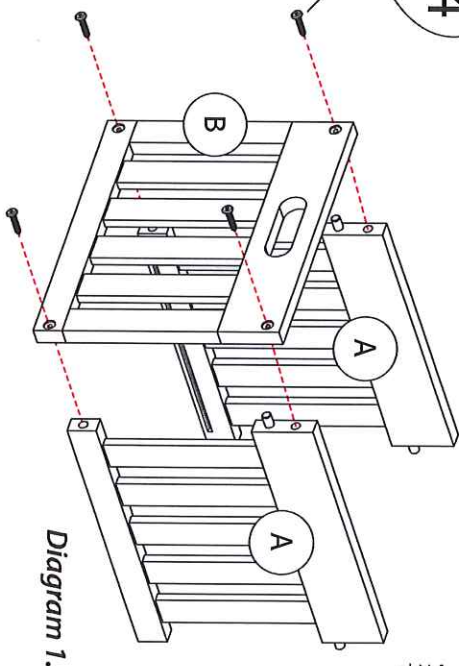
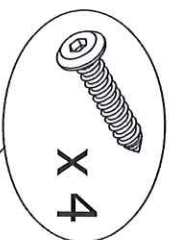
Wooden Storage Crate



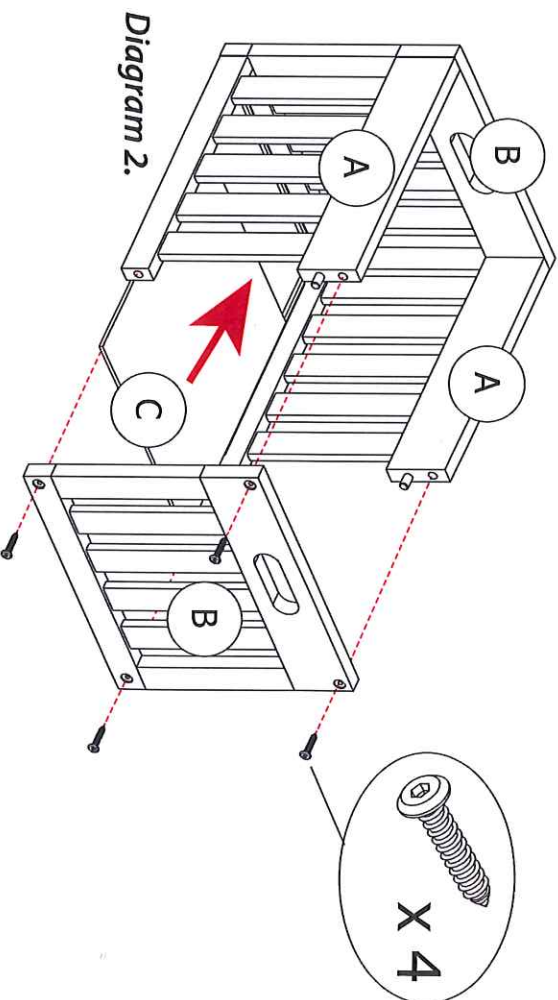
Part List



Hardware



Step 1:
 Attach Front & Back Panels (A) into a Side Panel (B) by using screws JCA 1/4" x 38 mm as per diagram 1.



Step 2:
 Insert Bottom Plate (C) into the grooves. Then, attach the other Side Panel(B) by using screw JCA 1/4" x 38 mm as per diagram 2.